



Gladius G0975

9.7" Intel® Celeron® N2930 Rugged Tablet PC



Features

- 9.7" XGA IPS LED display with Projected Capacitive Touch
- High computing performance from Intel® Quad Core Celeron®
- Fully rugged for mobile POS or warehousing application
- Meeting MIL-STD-810G, IP65, 4 ft. drop resistance
- High mobility, multiple connectivity (Bluetooth/WLAN/WWAN)
- Adopting Multi-Touch Screen with Corning® Gorilla® Glass
- Supporting external battery with battery cover and internal battery
- Providing four function keys and home key
- Providing system security

System

CPU	Intel® Celeron® Processor N2930 quad-core 1.83 GHz
Graphics Controller	Intel® HD Graphics
Memory	2GB DDR3L SO-DIMM memory module installed (optional up to 8GB)
BIOS	UEFI BIOS
Audio	1 x integrated microphone 2 x piezoelectric speaker 1 x 3.5 mm headset combo jack
Storage	1 x 32GB MLC mSATA SSD

Peripherals and Devices

WLAN	Integrated WLAN 802.11 a/b/g/n
Bluetooth	Integrated Bluetooth 4.0 BLE, class 2
Camera	5.0 MP rear CMOS camera with Auto Focus and light supplement
Sensor	Accelerometer, Magnetometer, Gyroscope & Light Sensor

I/O Interface

USB Port	1 x USB 3.0/2.0 Type-A port 1 x mini USB 2.0 Type-A port
SD Card	1 x microSD/SDHC/SDXC slot
HDMI	1 x mini-HDMI 1.4 port
Docking Port	1 x 8-pin docking connector
Reset	1 x reset button

Button & Indicator

Function Keys	1 x Home key 4 x Function keys
Power Button	1 x Power on/off button 1 x Power LED
LED Indicators	1 x Battery LED 1 x WLAN LED 1 x Bluetooth LED

Touch Screen

Type	10-point Projected Capacitive Touch w/ Corning® Gorilla® Glass
Light Transparency	80% (typ.)
Controller Interface	USB interface

LCD Display

Size/Type	9.7" XGA IPS LED display
Max. Resolution	1024x768 (XGA), w/ 262,144 colors
Luminance	350 cd/m ² (typ.)
Contrast Ratio	500 : 1
View Angle (U/D/R/L)	89°/89°/89°/89°
Backlight Type	LED

Power Supply

Adapter Input	100 ~ 240VAC (full range)
Adapter Output	19VDC, 3.42A, 65W
Battery Type	Li-battery pack 1 x 2270mAh 4-cell external battery pack
Battery Capacity	1 x 2270mAh 2-cell internal battery pack (Optional)
Battery Life	Up to 8 hours (depends on configuration and use)

Mechanical & Environmental

Operating Temp.	-20 ~ 45°C (-4 ~ 113°F)
Storage Temp.	-20 ~ 60°C (-4 ~ 140°F)
Charging Temp.	0 ~ 40°C (32 ~ 104°F)
Operating Humidity	10 ~ 95% @ 45°C (non-condensing)
Dimensions (W x D x H)	258 x 198 x 22.5 mm (10.04" x 7.80" x 0.89")
Gross Weight	1.0 kg (2.20 lb) w/o 2-cell internal battery pack
Vibration	20 to 1000 Hz @ 1 grms per MIL-STD 810G (operating) 20 to 1000 Hz @ 3 grms per MIL-STD 810G (non-operating) 11 ms @ 20G per MIL-STD 810G for unit only (operating)
Shock	11 ms @ 40G per MIL-STD 810G for unit only (non-operating)
Transit Drop	1.2m (4ft.) per MIL-STD-810G for whole unit
IP Rating	IP65
Regulatory	CE EN55022 class B FCC 47 CFR, Part 2 and Part 15

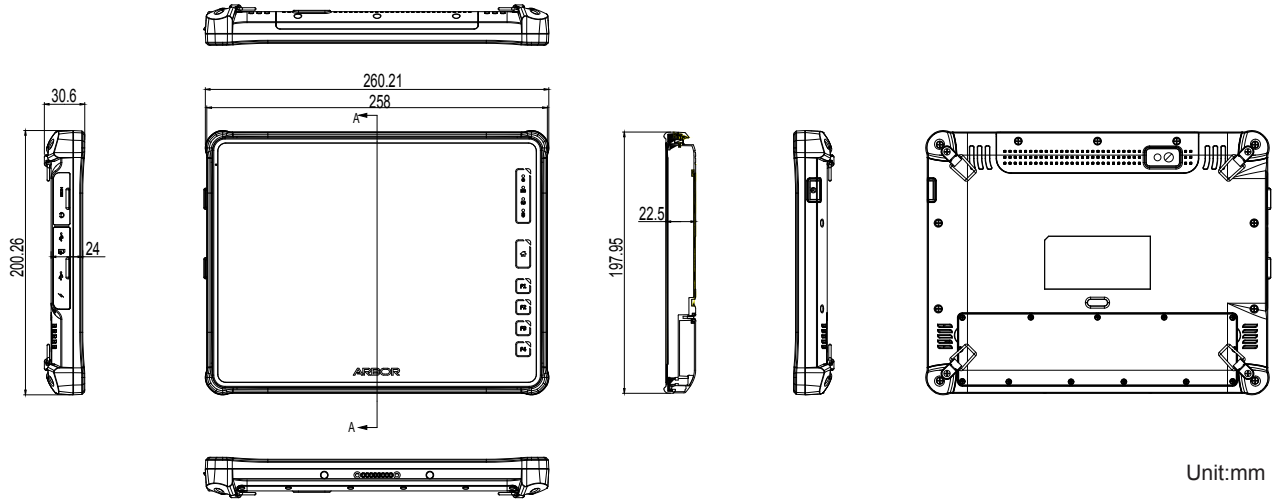
OS Support

Windows Embedded 7 / Windows 7 Professional
Windows 8.1 Embedded / Windows 8.1 Professional

Ordering Information

G0975	9.7" Intel® Celeron® N2930 rugged tablet PC with XGA LCD, projected capacitive touch, battery pack, WLAN, Bluetooth and Rear Camera
G0975S	9.7" Intel® Celeron® N2930 rugged tablet PC with XGA LCD, projected capacitive touch, battery pack, WLAN and Bluetooth, Rear Camera, and sunlight readable display (700 nits)

Dimensions



Standard Accessories

Power Adapter 19V/3.42A 65W AC/DC Adapter Kit



eBAT-0975 2270mAh External Battery Pack



Optional Configuration (CTOS* Kit) (Not Sold Separately)

IBAT-0975 2270mAh 2-cell Internal Battery Pack



*CTOS means Configure-to-Order Service.