

# IFA 3610

CoreFort™ Industry Firewall, 5 ports VPN Router  
with Wide Temperature Range



## Main Features

- Stateful (L4) packet firewall
- Intrusion prevention (IPS)
- SSL VPN secure remote access
- DI/DO support
- Serial gateway (RS485)
- Wide temperature range, up to 70°C (158°F)

## Product Overview

The CoreFort™ industry firewall series is a fully integrated industry multi-port firewall router with VPN function. The fully equipped, broadband-capable firewall router offers a stateful packet inspection firewall, denial-of-service(DoS)/distributed denial-of-service(DDoS) protection and intrusion prevention, portscan detection, and real-time alerts. It gives additional protection for machinery and equipment installed on the secure side of the firewall. Equipped with SSL VPN functions, the CoreFort™ industry firewall provides a remote access infrastructure to secure connections, and helps machine builder/system integrator to design easily maintained systems. Furthermore, its tough fully-rugged design is ideal for harsh environment application. With wide temperature range up to to 70°C (158°F) degree, it offers reliable communication network in extreme temperature conditions.

Pairing VPN capabilities, the CoreFort™ industry firewall series is an ideal endpoint connectivity and security solution for industrial automation, process control, energy and medical instrument remote management application.

## Specifications

### Network Security

- Stateful packet firewall
- Intrusion detection/prevention (IDS/IPS)
- Multiple public IPs
- SNMP support (V1/V2/V3)
- VoIP/SIP support
- Portscan detection
- DoS and DDoS protection
- SYN/ICMP flood protection
- DNS proxy/routing

### Multi-WAN/Failover

- Supports multiple Uplinks/WANs: Ethernet (Static/DHCP), PPPoE, Analog/UMTS modem
- Automatic WAN uplink failover
- Monitoring of WAN uplinks

### Traffic Shaping

- Bandwidth management

### User Authentication

- Active directory /NTLM
- LDAP
- Local

### Network Address Translation

- Destination NAT
- Incoming routed traffic
- One-to-one NAT
- Source NAT (SNAT)
- IPSec NAT Traversal

### High Availability

- Hot standby (active/passive)
- Node Data/Configuration Synchronization

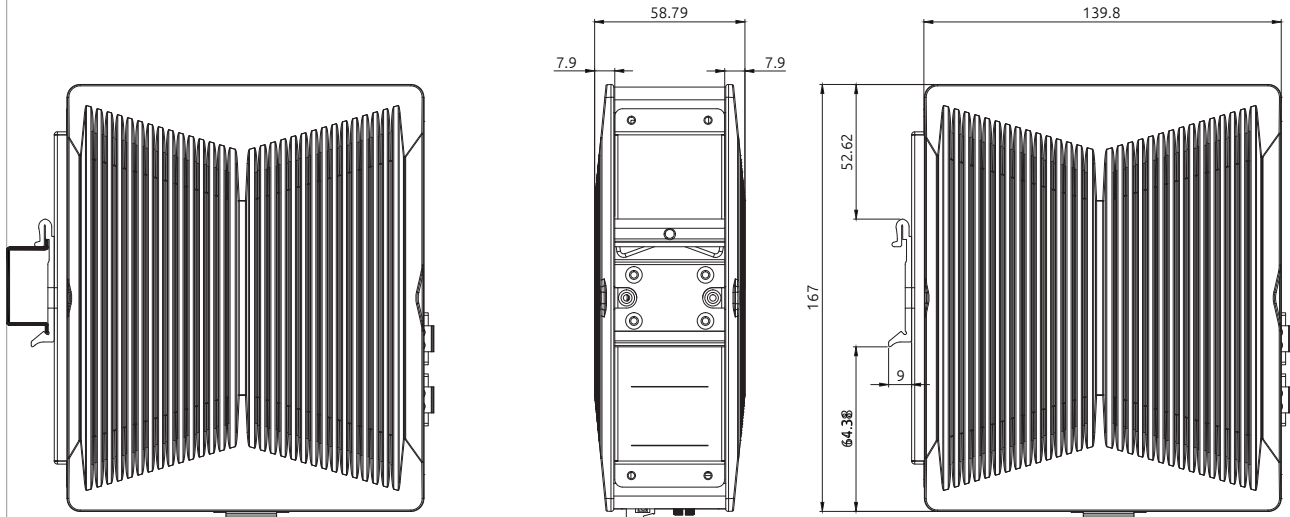
### Bridging

- Firewall Stealth Mode
- OSI-layer 2 firewall-function
- Spanning tree
- Unlimited bridges
- Unlimited interfaces per bridge

### VPN (Virtual Private Network)

- IPsec
  - Encryption: 3DES, AES 128/256-bit, MD5, SHA1
  - Diffie Hellman (2, 5, 14, 15, 16, 17, 18)
  - Authentication: Pre-Shared Key, RSA Keys X.509-certificates IKEv1, L2TP
  - DPD (Dead Peer Detection)
  - NAT-Traversal
  - Compression
  - PFS (perfect forward secrecy)

## Dimension Drawing



- VPN: site-to-site
- VPN: client-to-site (road warrior)
- Integrated certificate authority
- ♦ True SSL/TLS VPN (OpenVPN)
  - Encryption: DES, 3DES, AES 128/192/256-bit, CAST5, Blowfish
  - Authentication: Pre-shared key, X.509-certificates, certification authority, and local
  - Support for VPN over HTTPS proxy (OpenVPN)
  - PPTP passthrough
  - VPN: site-to-site
  - VPN: client-to-site (road warrior)
  - VPN: client for Microsoft Windows, Mac OS X and Linux
  - Multiple logins per user
  - VPN failover

### Services

- ♦ Event notification & handling
- ♦ NTP (network time protocol)
- ♦ DHCP server
- ♦ SNMP server
- ♦ DynDNS

### Logs and Reports

- ♦ Customizable real-time dashboard
- ♦ Live Log Viewer (AJAX based)
- ♦ Detailed user based web access report
- ♦ Network/system/performance statistics
- ♦ Rule-based logging settings (firewall rules)
- ♦ Syslog: local or remote
- ♦ OpenTSA trusted time stamping

### Management

- ♦ Easy web-based administration (SSL)
- ♦ Secure remote SSH/SCP access
- ♦ Centralized management (via SSL)

### Updates and Backup

- ♦ Centralized updates through CoreFort™ network
- ♦ Network
- ♦ Scheduled backup
- ♦ Encrypted backups via e-mail
- ♦ Instant recovery/backup to USB stick

### Routing

- ♦ Static routes
- ♦ Source-based routing
- ♦ Destination-based routing
- ♦ Policy-based routing (based on interface, MAC, protocol, or port)

### Hardware Specification

- ♦ 1 x 10/100/1000 Base-T Ethernet WAN
- ♦ 4 x 10/100/1000 Base-T Ethernet LAN
- ♦ 1 x USB
- ♦ 1 x DI/DO
- ♦ RS-232/422/485
- ♦ microSD 4GB

### Physical and Power

- ♦ DIN rail/wall mount (optional)
- ♦ Fanless
- ♦ Dimension (H x W x D): 167mm x 59mm x 140mm
- ♦ Weight(G.S. Kg):1.90Kg
- ♦ IP30
- ♦ Dual power input 24VDC

### Environmental Specification

- ♦ Operating temperature: -20°C ~ 70°C/-4°F ~ 158°F
- ♦ Storage temperature: -40°C ~ 80°C/-40°F ~ 176°F
- ♦ Humidity: 5% ~ 95%, non-condensing

### Certification

- ♦ Safety: UL 508
- ♦ FCC/CE/RoHS

### Package Content

- ♦ IFA 3610 x 1
- ♦ QIG x 1
- ♦ Power Input 5.08mm terminal block x 2
- ♦ DI/DO terminal block x 1

## Ordering Information

- ♦ **IFA 3610 (P/N: 10IF0361000X0)**  
Industry firewall 5 ports VPN router (3 years service & maintenance)