



I-8063W-G

4-channel Isolated Digital Input and
4-channel Relay Output Module

Features

- 4-channel Digital Input and 4-channel Relay Output
- Form C Power Relay Output
- Sink-type and Source-type Digital Input Channels
- ± 4 kV ESD Protection
- 3750 Vdc Intra-module Isolation
- Wide Operating Temperature Range: $-25 \sim +75$ °C



Introduction

The I-8063W module provides 4 Isolated Digital Input channels and 4 Form C Relay Output channels. In addition, either sink-type or source-type Digital Input can be selected via the wire connections. The I-8063W includes 8 LED indicators that can be used to monitor the status of the Digital Input and Relay Output, and options are available for configuring power-on and safe values. 4 kV ESD protection and 3750 Vdc intra-module isolation are also provided to enhance the noise protection capabilities of the module in harsh industrial environments.

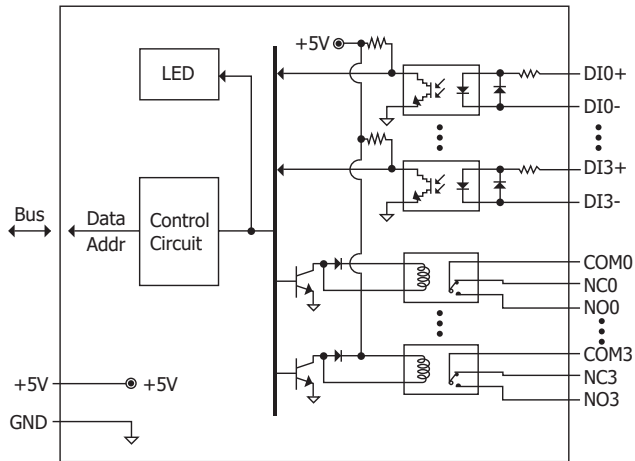
System Specifications

LED Indicators/Display	
System LED Indicators	1 LED as Power Indicator
I/O LED Indicators	8 LEDs as Digital Input and Relay output Indicators
Isolation	
Intra-module Isolation, Field-to-Logic	3750 Vdc
EMS Protection	
ESD (IEC 61000-4-2)	± 4 kV Contact for each Terminal
Power	
Power Consumption	2 W max.
Mechanical	
Dimensions (W x L x H)	30 mm x 115 mm x 102 mm
Environment	
Operating Temperature	$-25 \sim +75$ °C
Storage Temperature	$-40 \sim +85$ °C
Humidity	10 to 90% RH, Non-condensing

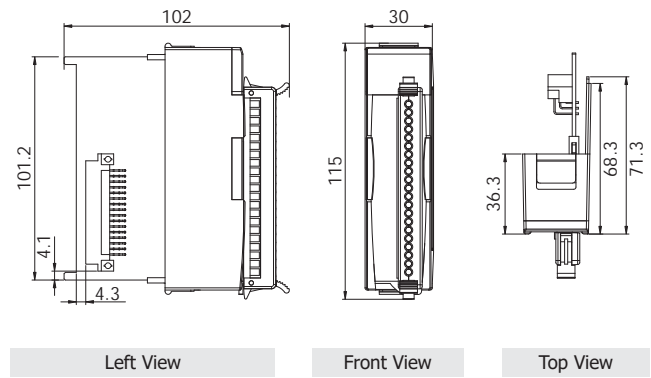
I/O Specifications

Digital Input		
Channels	4 Differential	
Type	Wet Contact	
Sink/Source (NPN/PNP)	Sink, Source	
ON Voltage Level	+10 ~ +30 VDC	
OFF Voltage Level	+4 VDC max.	
Input Impedance	3 k Ω , 0.5 W	
Digital Output		
Max. Load Current	5 A (NO)/3 A (NC) @ 65 °C	
Relay Output		
Channels	6 (Form C)	
Type	Power Relay	
Contact Rating	5 A (NO)/3 A (NC) @ 30 Vdc; 5 A (NO)/3 A (NC) @ 277 VAC	
Operate Time	10 ms Max.	
Release Time	5 ms Max.	
Electrical Endurance	500,000 Min. @ 30 VDC @ 2 A, Resistive	
Mechanical Endurance	100,000,000 Min.	
Surge Strength	Between Open Contacts	500 Vrms (at 1 Minute)
	Between Coil and Contacts	1000 Vrms (at 1 Minute)

Internal I/O Structure



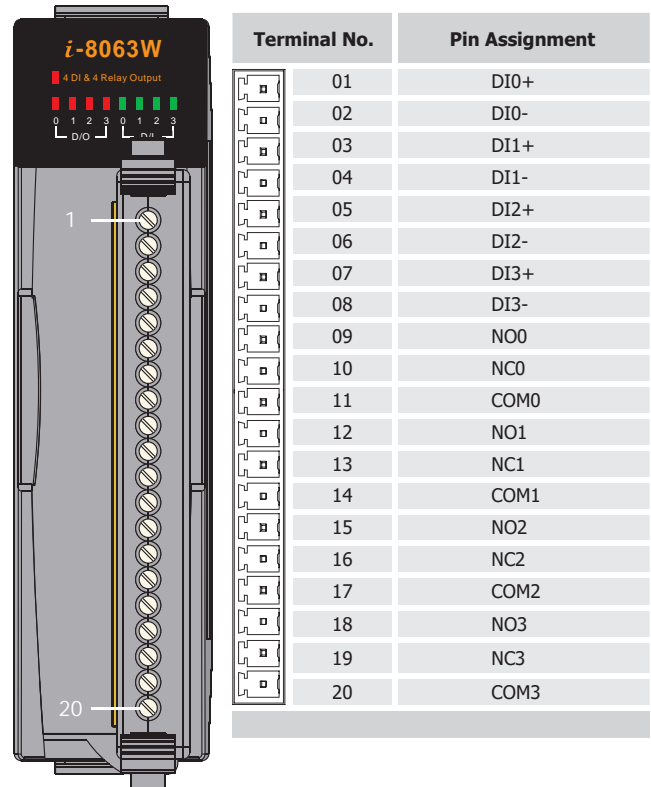
Dimensions (Units: mm)



Wire Connections

Input Type	ON State LED ON Readback as 0	OFF State LED OFF Readback as 1
Relay Contact	Relay ON 	Relay OFF
TTL/CMOS Logic	Voltage > 10 V 	Voltage < 4 V
Open Collector	Open Collector ON 	Open Collector OFF
Output Type	ON State Readback as 1	OFF State Readback as 0
Relay Contact	Relay ON 	Relay OFF

Pin Assignments



Ordering Information

I-8063W-G CR	4-channel Isolated Digital Input and 4-channel Relay Output Module (Gray Cover) (RoHS)
---------------------	--