

M116P, 11.6-inch Rugged Tablet PC

A Rugged Tablet that Can Survive Any Environment and Get Real Work Done

The M116 platform is a next-generation Windows rugged tablet series designed to boost efficiency in a mobile, versatile form factor. The large 11.6-inch sunlight readable full HD display allows for a premium viewing experience no matter where work takes place. The M116P allows for efficient performance with Intel Pentium processing with all day use with a hot-swappable battery design. Multiple wireless connectivity options and data capture modules allows users to complete their tasks reliably; from warehouses, to vehicle mounted, to field service external use. All these tools suited for productivity encased in an IP65 water and dust proof rugged housing with MIL-STD 810G specs ensures that the M116P is the ultimate rugged tablet designed with mobile productivity in mind.



*Expansion port is an optional function.



Highlights

- Intel® Pentium® N4200 1.1GHz (Turbo up to 2.5 GHz)
- 11.6" 1920 x 1080 LED panel with direct optical bonding
- IP65 water and dust proof with MIL-STD-810G rugged housing
- Optional Integrated 1D/2D Barcode Reader and HF RFID for data collection
- Removable battery with hot-swap function for all day productivity
- 802.11ac WiFi, BT 5.0, 4G LTE, GPS Wireless Connectivity
- Optional GigaLAN Port

M116P, 11.6-inch Rugged Tablet PC

A Rugged Tablet that Can Survive Any Environment and Get Real Work Done

Display Specification

| | |
|------------------|--|
| Size | 11.6-inch display with LED Backlight |
| Resolution | 1920 x 1080 Full HD |
| Contrast Ratio | 1000:1 |
| Panel Brightness | 850 nits with direct optical bonding for sunlight readability |
| Viewing Angle | 89/89/89/89 |
| Touch Technology | Projected capacitive multi-touch <ul style="list-style-type: none">• Anti-glare technology (Default)• Automatic screen rotation |

System Specification

| | |
|------------------|---|
| CPU | Intel® Pentium® N4200 1.1GHz (Turbo up to 2.5 GHz) |
| System Memory | 4GB LPDDR4 RAM ¹ (up to 8GB) |
| Storage | 128GB SSD (options up to 512GB) Additional storage available with micro SDXC card slot |
| Graphics | Intel® HD Graphics 504 |
| Operating System | Windows 10 IoT Enterprise (64 bit) |
| Sensors | Light sensor/ g-sensor / Gyro / E-compass |

Wireless Communication

| | |
|-----------|------------------------|
| WLAN | 802.11 a/b/g/n/ac WiFi |
| Bluetooth | Bluetooth 5.0 |
| GNSS | GPS, GLONASS |
| WWAN | Optional 4G LTE |

Interface

| | |
|-------------------|--|
| Docking Connector | 1 x 19-pin docking connector |
| HDMI | 1 x micro HDMI |
| USB | 1 x USB 3.0 (Type A), 1 x USB 3.0 (Type C) ² |
| Power Input | 1 x Power Jack |
| Micro SD | 1 x Micro SDXC slot |
| Audio | 1 x Audio combo connector (Mic in or Line Out) |
| LAN | 1 x RJ45-10/100/1000 GigaLAN port (Optional) |
| Expansion Port | 1 x Expansion connector for USB 2.0/ Full RS232 (Optional) |
| Micro SIM | 1 x Micro SIM card slot |
| mini PCIe | 1 x Mini PCIe for WWAN Module |

Input

| | |
|------------------|--|
| Physical Buttons | 1 x Power; 3 x function keys |
| Touch | 10-point multi-touch, supports Rain / Glove / Stylus Modes |

Status Indicators

| | |
|----------------|-------------------------|
| LED Indicators | Power, Battery, HDD, RF |
|----------------|-------------------------|

Audio

| | |
|------------|---|
| Microphone | Built-in dual digital mic with noise cancellation |
| Speaker | 2 x 1 watt front-facing speakers |

Cameras

| | |
|--------------|--|
| Front Camera | 2MP front camera |
| Rear Camera | 8MP rear camera with autofocus and LED light |

Data Capture

| | |
|----------------------------|--|
| Integrated | Optional 1D/2D Barcode Reader Optional HF RFID reader 13.56 MHz Optional Smart Card Reader |
| Add-on Module ³ | Optional add-on UHF RFID Reader or Smart Card Reader |

Security Function

| | |
|--------------------------|---|
| Security | • Trusted Platform Module (TPM) 2.0 ⁴ • Kensington Lock |
| Mobile Device Management | SOTI Mobicontrol compatible ⁵ |

Standards and Certification

| | |
|-----|---------|
| EMC | CE, FCC |
|-----|---------|

Power Management

| | |
|------------------------|--|
| Power Input | 19V DC |
| AC Adapter | 100-240V, 50-60Hz (19V DC) |
| Battery | Hot-swappable 7.7V typ. 5900 mAh Li-Polymer Battery (2S1P) Optional 7.4V typ. 10280 mAh Li-Polymer Battery (2S2P) |
| Battery Operating Time | Std. Battery: 8 hours ⁶ |

Mechanical

| | |
|------------------------|--|
| Dimensions (W x L x H) | 300.67 x 201.97 x 22.5 mm ⁷ |
| Weight | 1.35 kg |

Environment

| | |
|-----------------------|---|
| Operating Temperature | -20°C to 60°C (AC mode), -10°C to 50°C (Battery mode) |
| Storage Temperature | -30°C to 70°C |
| Operating Humidity | 10% to 90% RH, non-condensing |
| Shock | MIL-STD-810G Method 516.6 Procedure I |
| Vibration | MIL-STD-810G Method 514.6 Procedure I |
| Drop | MIL-STD-810G Method 516.6, 4 ft to concrete |
| IP Rating | IP65 certified, dustproof and waterproof |

Accessories

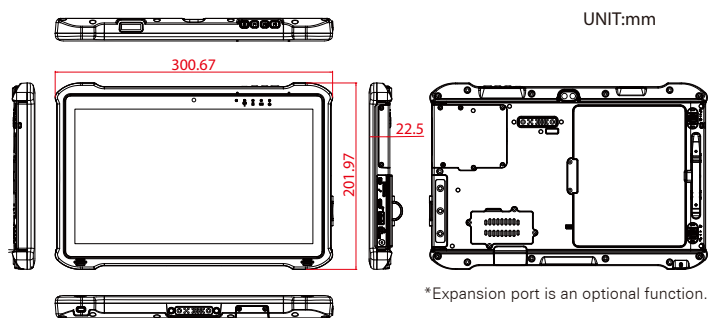
Standard Accessories

| | |
|------------------------|--------------|
| Adapter and Power Cord | 922D065W19V1 |
| Capacitive Stylus | 9B0000000415 |
| Standard Battery | 98K000A000D6 |

Optional Accessories

| | |
|---------------------------|--------------|
| Desk Dock | 98DT00A0001G |
| Vehicle Dock | 98DT00A0001H |
| Vehicle Charger | 9226065W19V0 |
| Battery Charger | 98K000A000DK |
| Smart Card Reader | 98K000A0003U |
| UHF RFID Reader | 98K000A0004J |
| High Capacity Battery | 98K000A0003S |
| Hand Strap | 98K000A000DC |
| VESA Mount Kit | 98K000A000DB |
| Shoulder Strap | 98K000A000DD |
| Carry Bag | 98K000A000DJ |
| Micro HDMI Cable | 9491191190K7 |
| USB-C to Ethernet Adapter | 9AN00000000I |
| USB-C to RS232 Adapter | 9AN00000000L |
| USB-C to USB-A Hub | 9AN00000000J |

Drawing ⁸



Caution

Do Not Expose the Battery Pack to Excessive Heat, or Extreme Heat (Near Fire, in Direct Sunlight for example)
Do not expose bare skin to this product when handling this unit in extreme hot or cold environments

1. Total usable memory will be less depending upon actual system configuration.
2. The USB Type-C connector follows USB 3.0 standard, which does not support Alternate Mode (ALT) or USB Power Delivery (USB-PD).
3. Add-on modules require the expansion port option to be usable.
4. TPM 2.0 available upon request.
5. SOTI is available upon request.
6. Measured at dimming LCD brightness. Varies depending on the usage conditions, or when an external device is attached.
7. Length measurements do not include protrusions. Weight varies with options and active pen.
8. This is a simplified drawing and some components are not marked in detail.