

# PPC-4151W

## 15.6" Fanless Wide Screen Panel PC with Intel Core i5 / Celeron Processor



### Features

- 15.6" WXGA entirely flat panel with Projected capacitive touchscreen
- High performance Intel Core i CPU with Fanless design
- PCIe x1 or PCI expansion support
- Automatic data flow control over RS-485
- Wide Range DC 9-32V support
- Dual Gigabit Ethernet, support IEEE1588
- 3 x Independent display

### Introduction

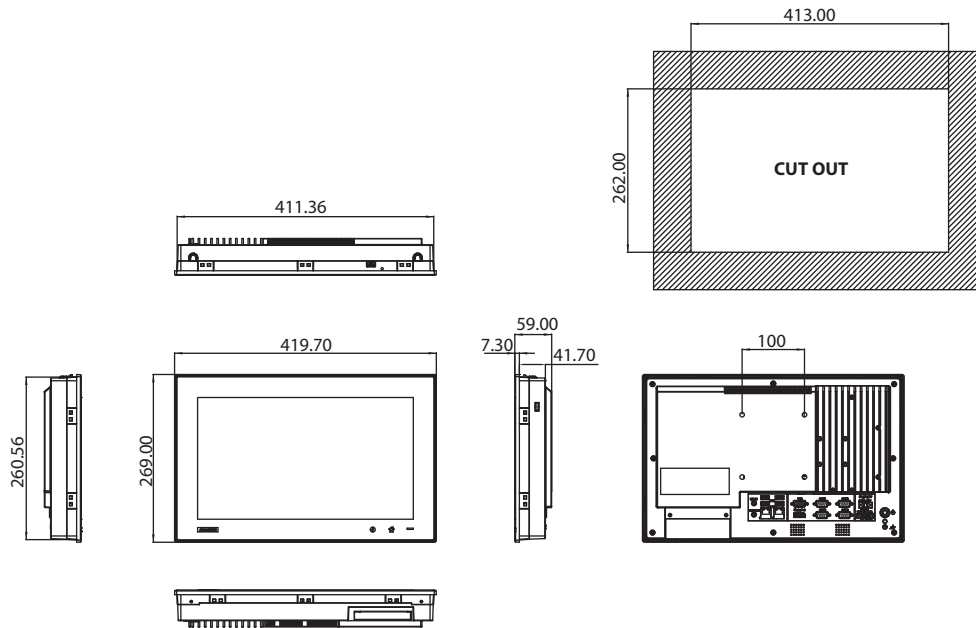
The PPC-4151W is a new generation Panel PC with WXGA (1366 x 768) screen. The most important, system equips with high performance Intel Core i CPU but the heat can be dispatched easily by high efficiency fanless thermal design. This makes HMI a big step forward to consolidate performance and reliability in one system. Besides, with rich I/O as 5 x COM, 5 x USB and dual Gigabit ethernet make it easier to connect to devices and be integrated into machine building industry. In addition, PCIe/PCI expansion to add on field bus or proprietary card makes more application possibility. The last but not least, the multi touch screen makes the HMI more intuitive, brings you the best operate experience.

### Specifications

<b>Processor system</b>	CPU	Intel 4th Generation Core i CPU i5-4300U, 2C, 3M, up to 2.9GHz Celeron 2980U, 2C, 2M, 1.6GHz
	Memory	SO-DIMM x 1, DDR3L1333/1600, Max 8GB
	2nd Cache Memory	3 MB / 2 MB
	Storage	mSATA*1
	HDD	1 x 2.5" SATA HDD Bay
	I/O Ports	5 x Serial ports: 4 x RS-232, 1 x RS-422/485 with isolation 1K V <sub>oc</sub> 4 x USB 3.0 ports in rear side, 1 x USB 2.0 in right side 1 x Line-out, 1x MIC-in 1 x DB15 VGA 1 x Display Port (1.2)
	Bus Expansion	1 x MINI PCIe, 1 x PCIe x1 or 1 x PCI(either one)
	Network (LAN)	2 x 10/100/1000 Mbps Ethernet, Intel I211-AT, Intel I218LM
	Speaker	2 x 1W
	Watchdog Timer	255 timer levels; setup by software
Dimensions	419.7 x 269 x 59 mm	
Weight	5.8 Kg	
<b>OS support</b>	OS Support	Win 7/Win 8/Win 8.1/Linux
<b>Power supply</b>	Input Voltage	DC 9-32V
	Power consumption	i5-4300U: 56W, Celeron 2980U: 45W (8G DDR3L, USB x 4, COM x 4, USB mouse, 2.5" HDD 500G, Win7 64bit, Burn-in 7.0 )
<b>LCD Display</b>	Display Type	15.6" TFT LCD (LED Backlight)
	Max. Resolution	1366 x 768
	Colors	16.7M
	Viewing Angle	85 (left), 85 (right), 85 (up), 85 (down)
	Luminance(cd/m <sup>2</sup> )	300
	Brightness Control	Yes (by BIOS)
	Backlight Lifetime	50,000 hrs (typ.)
<b>Touchscreen</b>	Touch Type	Projected Capacitive multi touch 10 point
	Resolution	2048 x 2048
	Light Transmission	88 % ± 2 %
	Controller	USB interface
<b>Environment</b>	Operating Temperature	0 ~ 50° C (32 ~ 122° F) for SSD, 0~45° C for HDD
	Storage Temperature	-20 ~ 60° C (-4 ~ 140° F)
	Relative Humidity	10 ~ 95% @ 40° C (non-condensing)
	Shock	Operating 10 G peak acceleration (11 ms duration), follow IEC 60068-2-27
	Vibration	Operating Random Vibration Test 5-500Hz, 1Grms, follow IEC 60068-2-64
	EMC	BSMI, CE, FCC Class B
	Safety	CB, CCC, BSMI, UL
	Front Panel Protection	IP65 compliant

## Dimensions

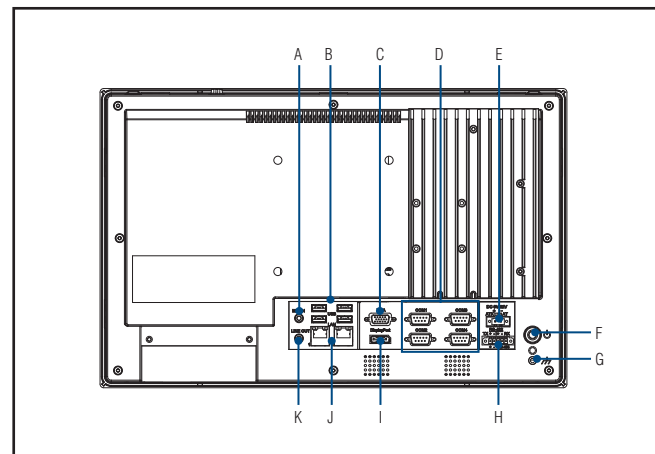
Unit: mm



## Ordering Information

Part NO	Description
PPC-4151W-P5AE	15.6 Wide screen PPC with PCT Multi-touch, Intel Core i5-4300U up to 2.9GHz
PPC-4151W-PCAE	15.6 Wide screen PPC with PCT Multi-touch, Intel Celeron 2980U 1.6GHz
PS-DC19-L157E	19V DC power Adapter Module
1700001524	POWER Cord 3P UL 10A 125V 180cm
170203183C	POWER Code 3P Europe (WS-010+083)183cm
1700008921	POWER CORD 3P/3P POWER SUPPLY 1.8M PSE
PPC-174T-WL-MTE	Wall mount kit for PPC series
PPC-4150W-STANDE	Desktop stand kit
PPC-ARM-A03	PPC ARM VESA Standard
PPC-6150-WLANE	Wi-Fi Module with Intel 6205 for PPC series
2070012905	Image WES7P 32-bit Multi PPC-4151W/4211W-P
2070013051	Image WES7P 64-bit Multi PPC-4151W/4211W-P

## I/O Appearance



- A. Mic-in
- B. 4 x USB 3.0
- C. VGA Port
- D. 4 x RS-232
- E. DC Inlet
- F. Power Button
- G. Ground Line
- H. 1 x RS-422/485
- I. Display Port
- J. 2 x 10/100/1000 Mbps Ethernet
- K. Line Out