

QBiX-WHLA8145H-A1

Industrial system with Intel® Core™ i3-8145UE Processor, 14nm, 2 cores, 4 threads, up to 3.9 GHz, TDP 15W



Features

- System Size : 138W x 118D x 74.2H (mm)
- Intel® Core™ i3-8145UE Processor
- 1 x RS-232/422/485 COM Port
- Dual Channel DDR4, 2 x SO-DIMMs
- 2 x HDMI for Dual display
- 2 x GbE LAN port

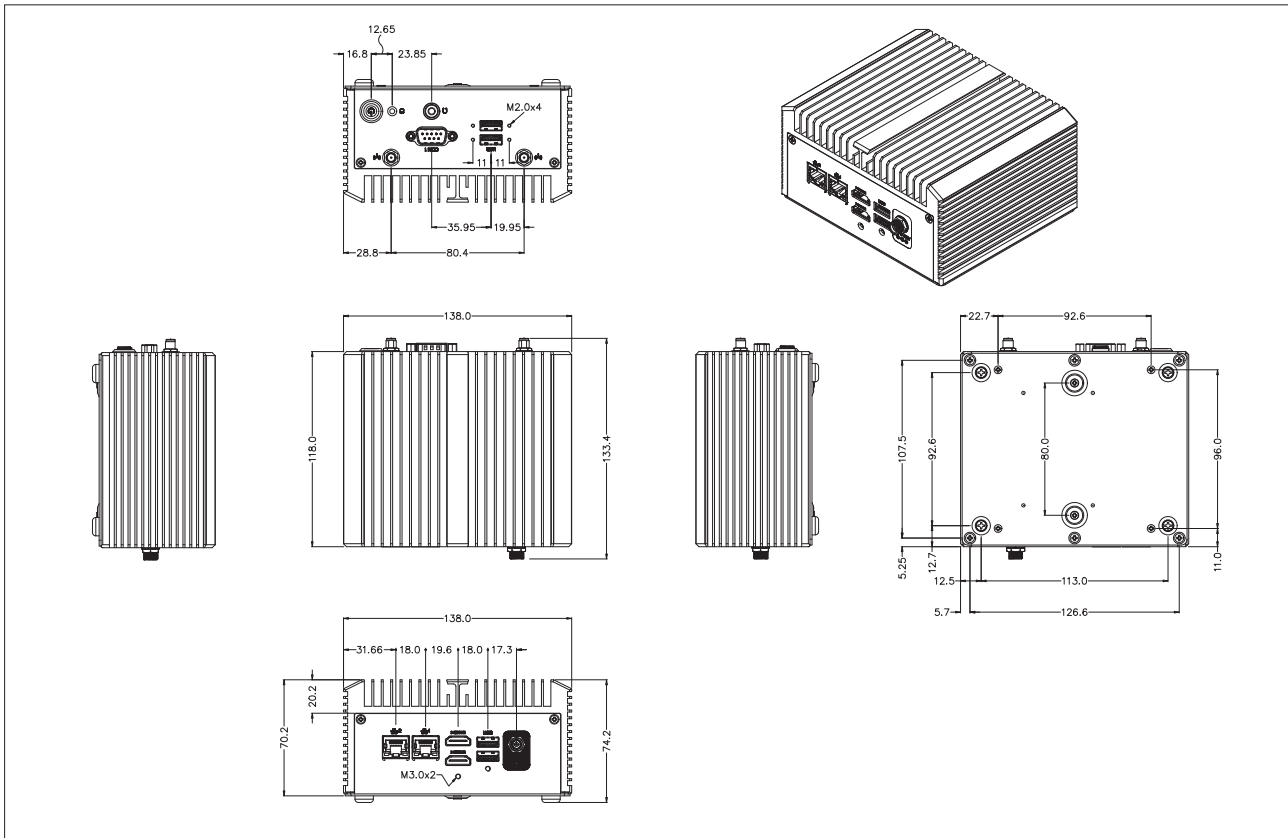
Specifications

| | |
|----------------------|--|
| CPU | Intel® Core™ i3-8145UE Processor, 14nm, 2 cores, 4 threads, up to 3.9 GHz, TDP 15W |
| Chipset | SoC |
| Memory | 2 x DDR4 SO-DIMM sockets, Max. Capacity 32 GB, Support Dual Channel DDR4 2400 MHz |
| Ethernet | 2 x GbE LAN ports (Intel® I219V and Realtek® RTL8111HS) |
| Graphic | Integrated Graphics Processor - Intel® UHD Graphics 620: 2 x HDMI 1.4 2 independent display outputs |
| Audio | Realtek® ALC269 |
| Storage | 1 x 2.5" HDD/SSD (SATA 6Gb/s) |
| Expansion Slots | 1 x 2280 M.2 M-Key (PCIe x4, SATA 6Gb/s) 1 x 2230 M.2 E-Key 1 x Vertical USB 3.0 |
| Front I/O | 2 x USB 3.1 Gen2 1 x Power switch 2 x External Antenna Hole (Optional) 1 x Power & HDD LED 1 x COM port (RS-232/422/485) |
| Rear I/O | 2 x HDMI 2 x RJ45 LAN ports 2 x USB 3.1 Gen2 1 x Screw type DC Jack |
| Side I/O | — |
| TPM | — |
| Power | +9V~36VDC (Adapter 19V/90W or Adapter 19V/65W) |
| Operating Temp. | 0°C to 50°C |
| Mounting | Wall mount |
| Ordering Information | 6BQB8145AMR-SI (Box packing) (QBiX-WHL81455H-A1) |

GIGAIPC reserves the right to modify or change technical data without prior notice.

Dimension

Unit: mm



Packing Content

- Box Packing Capacity: 6pcs
- Carton size: 411 x 403 x 282(mm)
- Content:
 - POWER CORD 3C×18AWG SVT US x 1 (25CP0-007001-Q0R)
 - PSU ADP 19V 90W 100-240VAC x 1
 - Wall Mount Bracket (25HB2-CGAA20-CHR)
 - SCREW I HEAD FOR 25HDD M3 x 8L x 4 (25KSG-130081-K1R)
 - THERMAL PAD H48-6T TGLOBAL x 2 (25ST3-200047-T5R)
 - CABLE SATA+Power x 1 (25CFZ-140000-S9R)

Order Information

- System: 6BQB8145AMR-SI

GIGAIPC reserves the right to modify or change technical data without prior notice.