

# W10L100-PCH2LB, 10.1-inch Multi-touch Chassis Display

Enhanced User Experience with PCAP Touch and All-Around LED Status Light Bar

The Multi-touch Chassis Display - W10L100-PCH2LB is a 10.1-inch display designed specifically as an interface for smart access control. Ease of cleaning has also been taken into consideration and resulted in the series being built with a true flat surface for easy cleaning and avoiding clogged dust on the edges while delivering superior readability. Experience ultimate access control with all-around programmable LED status light bar for a diverse range of applications including access control systems, conference room management platforms, interactive POS/ kiosk terminals, and many more smart facility control scenarios.



## Highlights

- 10.1" 1280 x 800 Resolution with Projected Capacitive Multi-Touch (PCAP)
- VGA and HDMI input
- All-around LED status light bar (RS-232)
- USB port for touch
- Front IP65 waterproof and dustproof
- Stylish design for room booking, access control and room information applications

# W10L100-PCH2LB, 10.1-inch Multi-touch Chassis Display

Enhanced User Experience with PCAP Touch and All-Around LED Status Light Bar

## Display Specification

Panel Size	10.1" TFT (Wide screen)
Resolution	1280 x 800
Contrast Ratio	800:1 (typ.)
Brightness	350 (typ.) nits <sup>1</sup>
Viewing Angle	-85~85(H);-85~85(V)
Max Colors	16.7M (8 bits/color)
Touch	Projected Capacitive Multi-Touch (PCAP), optional anti-glare coating

## Interface

VGA	1 x VGA (D-sub 15)
Power Input	1 x DC Power Jack
HDMI	1 x HDMI (Type-A)

## Keyboard and Input

Physical Buttons	OSD Control 5 Keys: -, +, Power, Esc, Enter
LED Indicators	All-around RGB LED status light bar (RS-232 control)
Touch	PCAP touch (USB interface)

## Power Management

Power Input	12V DC
Power Consumption	10 W typical, normal operation

## Standards and Certification

EMC	CE
Safety	FCC

## Mechanical Specifications

Dimensions	263.28 x 171 x 35.7 mm <sup>2</sup>
Cutout	157.6 x 249 mm
Mounting	VESA Mount (75x75mm), Panel Mount, Front Side Wall Mount

## Environment

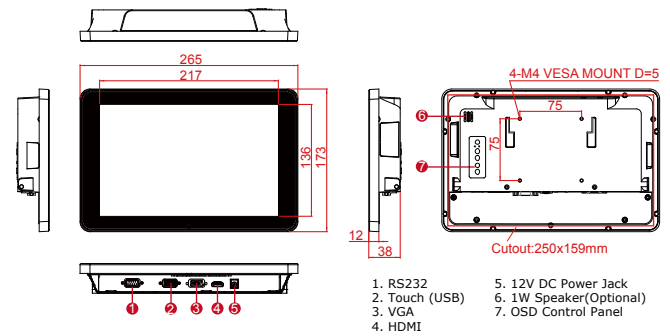
Operating Temperature	0 °C to 50 °C
Storage Temperature	10 °C to 60 °C
Operating Humidity	30% to 90% (non-condensing)
IP Rating	Front IP65 waterproof and dustproof

## Accessories

### Standard

VGA cable (1.8m), HDMI cable (2m)

### Drawing <sup>3</sup>



1. Measured at dimming LCD brightness. Varies depending on the usage conditions, or when an external device is attached.
2. Length measurements do not include protrusions. Weight varies with options.
3. This is a simplified drawing and some components are not marked in detail.
4. Accessories and integrated options may vary depending on your configuration.