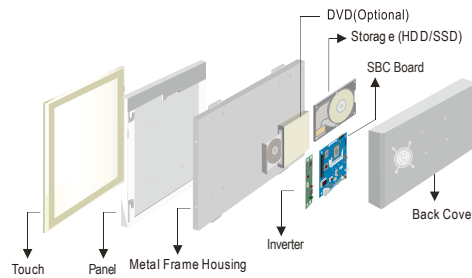


W22IK7T-POA3 21.5" Panel PC (Intel 7th Generation Core i3/i5/i7 Processor)

Mechanical Design



Open Frame

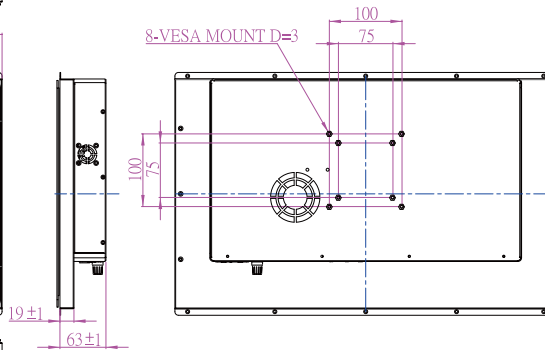
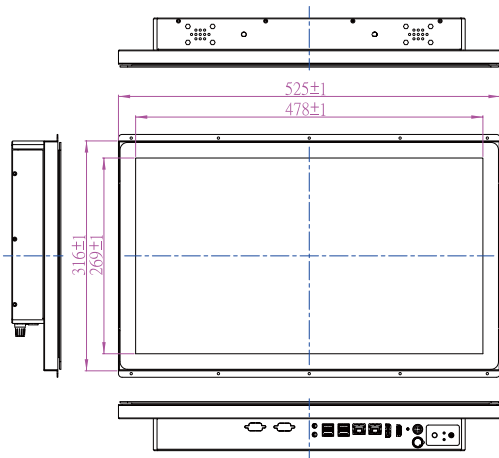


Mechanical design

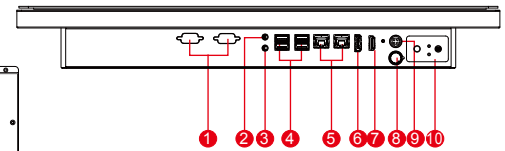
Features:

- 21.5" 1920 x 1080 Resolution
- Intel 7th Generation Core i3/i5/i7 processor (KabyLake)
- Flexible storage devices, one 2.5-inch HDD and one SSD
- Multiple I/Os, Two Serial Ports and Four USB 3.0 Ports
- 12V DC Power input
- DP Support 4096 x 2304@60Hz
- HDMI Support 4096 x 2304@24Hz

Dimensions



Fully Integrated I/O



1. 2 x RS-232/422/485
2. Mic In
3. Line Out
4. 4 x USB 3.0
5. LAN(10/100/1000 Mbps)
6. DP 1.2
7. HDMI 1.4
8. Dimming Knob
9. 12V DC in
10. OSD Membrane

- * Measurements shown in mm
- * All Dimensions are ±
- * Note: this is a simplified drawing and some components are not marked in detail. Please contact our sales representative if you need further product information.

Specifications

System Specifications

- CPU : Intel® Core™ i7-7700T Processor, 2.9 GHz
Intel® Core™ i5-7500T Processor, 2.7 GHz
Intel® Core™ i3-7100T Processor, 3.4 GHz
- System Chipset : Intel® H170
- System Memory : 1 x SO-DIMM, Max 16GB DDR4 2400 MHz default 4GB
- Storage : 1 x M.2 SSD, Max 512GB
1 x 2.5" 500GB HDD (default)
- Audio : Realtek HD Audio Codec
- Network : Intel® Ethernet Controller I211-AT + Intel® Gigabit Ethernet PHY I219-LM

Input / Output

- Serial Ports : 2 x RS232/422/485(default RS232)
- USB Ports : 4 x USB 3.0
- Ethernet : 2 x RJ45-10/100/1000 Mbps
- DP Port : 1 x DP 1.2
- HDMI Port : 1 x HDMI 1.4
- Audio : Line-Out, Mic in

Power Management

- Power Input : 12V DC IN (Lockable Power Jack)
- Power Consumption : 96W (typ.)(Max.backlight & high CPU load)

Accessories

- External Adapter : 110~240V Ac-in Power Adapter

Display Specifications

- Size/Type : 21.5" TFT
- Resolution : 1920 x 1080
- Contrast Ratio : 3000:1 (typ.)
- Brightness : 250 nits
- Viewing Angles : -89~89 (H); -89~89 (V)
- Max Colors : 16.7M

Environment

- Operating Temperature : 0°C to 50°C
- Operating Humidity : 10% to 90% (non condensing)

Security Support

- Trusted Platform Module (TPM 2.0)

Order Options

- | | |
|-------------------------|-------------------------------------|
| Mechanical : Open Frame | Storage : 2.5"HDD/2.5" SSD/ M.2 SSD |
| Touch : P-CAP | RAM : DDR4 2400 Max 16GB |
| | OS : Windows 10 IoT Enterprise |

Expansion Slot

- 2 x M.2(1 for WiFi, 1 for SSD), 1 x PCIe 16(Optional)

*Customized housing required if you need to have the PCIe expansion



Revised Date:03-Jul-2019 V1.0