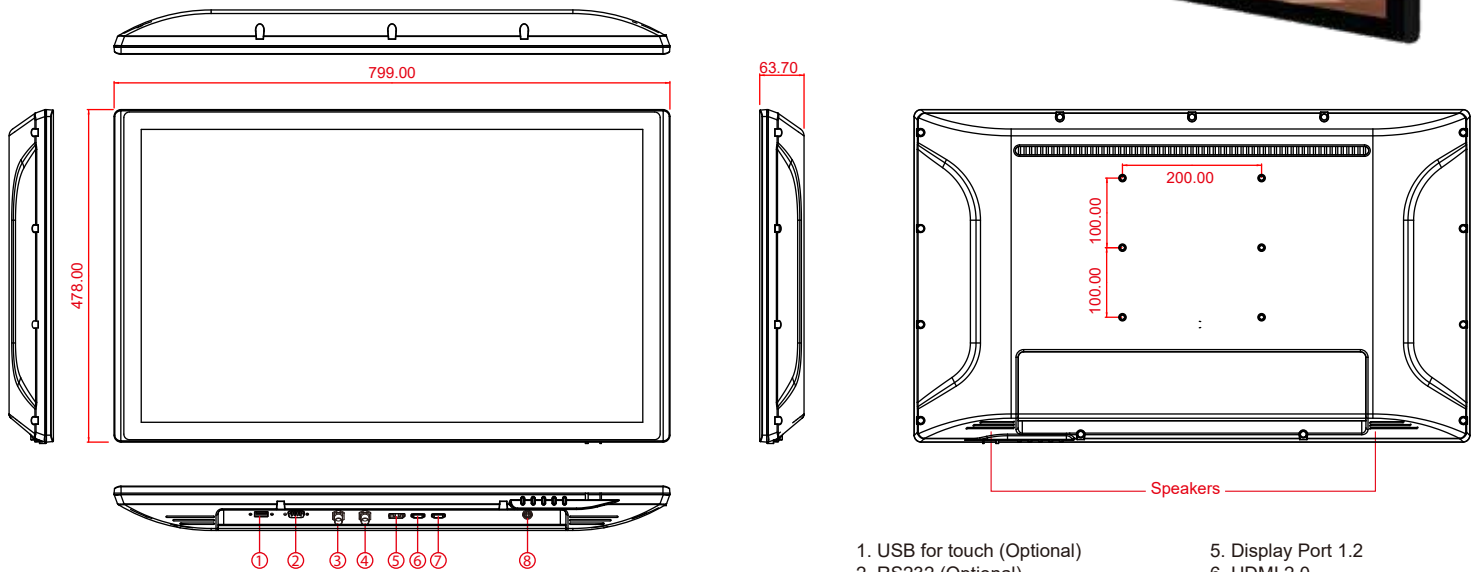


# 32" 4K UHD Chassis Display - W32L100-PTA1-SDI

## Features

- 32" Display with 4K UHD (3840 x 2160) native resolution
- Projected Capacitive Touch (Optional)
- Bottom side keys x 5
- Fanless and Ventless design, Easy-to-Clean
- Support 12G-SDI , HDMI , DP variety signal input
- Support Ambient light sensor , IR Remote controller



\* Note: this is a simplified drawing and some components are not marked in detail. Please contact our sales representative if you need further product information.

- |                             |                     |
|-----------------------------|---------------------|
| 1. USB for touch (Optional) | 5. Display Port 1.2 |
| 2. RS232 (Optional)         | 6. HDMI 2.0         |
| 3. 12G-SDI Loop Out         | 7. HDMI 1.4         |
| 4. 12G-SDI in               | 8. 24V DC in        |

## Specifications

### Display Spec :

- Size/Type : 32"
- Resolutions : 3840 x 2160
- Brightness : 350cd/m<sup>2</sup> (typ.) optional 700cd/m<sup>2</sup>
- Contrast Ratio : 1000 : 1 (typ.)
- Viewing Angle : -89~89(H);-89~89(V)
- Max Colors : 1.07B
- Touch (Optional) : Projected-Capacitive Touch

### Power Specification :

- Power Input : 24V DC, with External AC to DC Adapter (100~240V AC)
- Power Consumption : 150 W typical, normal operation

### Environment Considerations :

- Operating Temperature : 0 °C to 35 °C
- Operating Humidity : 10% to 90% (non-condensing)
- IP Rating : Front IP65

### Input Specifications :

- Input Ports : 1 x 12G-SDI  
1 x HDMI 1.4  
1 x HDMI 2.0  
1 x Display Port 1.2
- USB Port (Touch) : 1 x USB (Optional)
- Remote Control : 1 x RS232 (Optional)
- Speaker (Optional) : 2 x 5W speaker

### Mechanical Specification :

- Mounting : VESA Mount (100 x 200mm)  
(200 x 200mm)
- Dimensions (W x H x D) : 799 x 502.7 x 63.7 (mm)