



Features

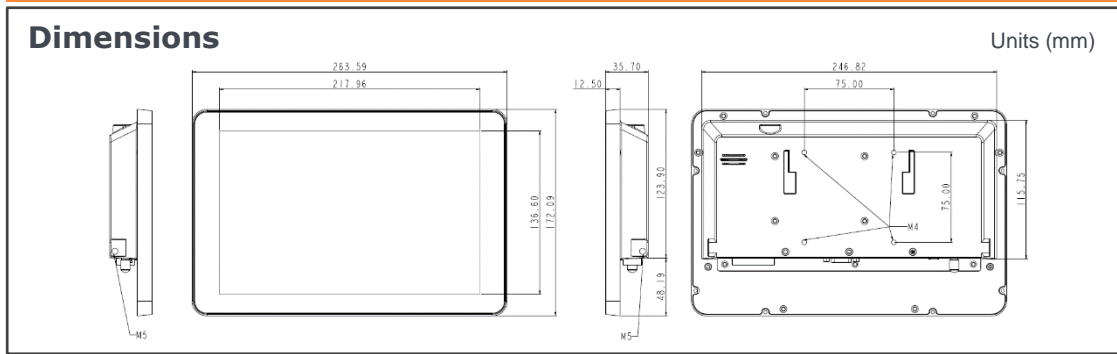
- Four Cores Intel® Pentium N4200 / N3350 Processor
- Industrial HMI Office Level EMC class B Certified
- Medical Grade UL/MDR Certification By Request
- Door Display with PoE
- Equipped with Power Button for User Friendly
- Fanless Type under 0~50°C Operation Temp.
- Compact size ideally for limited space application

Specification

Product		WMP-105
Main System	CPU	Intel® Pentium N4200 / N3350 Processor
	Graphic	Intel® Integrated HD Graphics 500
	Memory	2 x DDR3L SO-DIMM sockets, Max. Capacity 8 GB
	OS Support	Optional: Windows 10 (64bit)
Display	Size	10.1"
	Resolution (pixel)	1280 x 800
	Number of Colors	16.7M Colors
	View Angle (H/V)	170(H) / 170(V)
	Brightness(cd/m ² , nit)	350 nits
	Contrast Ratio	800:1 (Typ)
Touch Panel	Type	Chassis Projective Capacitive Touch Panel
	Light Transmission	90 ± 3%
	Lifetime	3,500,000 Times
Storage & Expansion	Storage	M.2 M-key 2242 SSD, (SATA 6Gb/s)
	Expansion	Mini-PCIe slot x 1
I/O Ports	USB	USB 3.0 x 2
	COM	RS232/422/485 x 1 (default is RS232, RS422 and RS485 are by manually change jumper setting on mother board)
	LAN	RJ-45 x 2
	Audio	Line Out, 3.5mm Phone Jack x 1, 1.5W Speaker x 1
	Video	HDMI 1.4 (output) x 1 / VGA D-sub x 1
	Control Keys	Rear Bottom: Power on /off
Power	Power Input	9~36 VDC-in x 1
	Power Adapter	External, 63 Watts, Universal 100 ~240V AC in, 12V DC Out
Environmental	Temperature	Operating Temperature: 12V DC Input 0~50°C (IEC60068-2-78) Storage Temperature: -20~60°C
	Humidity	Operating & Storage: 10 ~ 90%, non-condensing
	Water/Dust resistance	IP65 at Front
Mechanical Characteristics	Housing	Sliver Bezel / Black Cover
	Dimensions (Net: mm)	263.3 (H) x 171 (V) x 35.7 (T)
	Weights (Net: kg)	1.25 kg
	Mounting	Chassis, VESA (75x75)
Certification	CE/ FCC/ VCCI Class B, CE EN60601-1-2	

WMP-105

Medical AIO Fanless Panel PC



Major Options	
Options	<ol style="list-style-type: none"> 802.11 ac/a/b/g/n WLAN + Bluetooth Module (not coexist with PoE) TPM 2.0 by module (not coexist with PoE) Ethernet RJ45 male to female right angle adapter x 2 Operation system: Windows 10 (64bit)
Customization	<ol style="list-style-type: none"> Webcam RFID COM x 2 (total) Panel mount kit White rear cover PoE function follows IEEE802.3at (30 Watt), supports wake on LAN function (not coexist with wireless, COM port, remove AC-DC power adapter and DC input connector) In wall mount bracket 3G/4G module Car ignition power control

Order Information

Item	Touch	Description
WMP-105	Chassis P-Cap.Touch	10.1" N4200 1.1~2.5 GHz, DDR3L 4G RAM, 64G SSD
WMP-105	Chassis P-Cap.Touch	10.1" N3350 1.1~2.4 GHz, DDR3L 4G RAM, 64G SSD

I/O ports (Standard type)



- | | |
|------------|----------------|
| 1 COM | 5 USB 3.0 x 2 |
| 2 DC-in | 6 LAN x 2 |
| 3 VGA out | 7 Line out |
| 4 HDMI out | 8 Power switch |

