

XP-8031-WES7/XP-8131-WES7/XP-8331-WES7/XP-8731-WES7

Standard PAC with x86 CPU and WES7

Features

- Windows Embedded Standard 7 SP1 x86 (32-bit)
- x86 CPU, 1 GHz, dual-core
- 2 GB DDR3 SDRAM
- 32 GB SSD
- VGA Port Output
- 2 10/100/1000M Ethernet Ports
- Redundant Power Input
- Operating Temperature: -25 ~ +75 °C



Introduction

The XP-8000-WES7 are WES7 based PACs that combine computing, I/O, and operator interface into a single unit, and provide the perfect solution for integrating HMI, data acquisition and control in an individual PAC. It is equipped with a x86 (1 GHz, dual-core) CPU, 0/1/3/7 I/O expansion slot(s) and a variety of connectives including dual Gigabit Ethernet, VGA, USB port, RS-232 and RS-485 interface. Local I/O slots are available to use our I-8K and I-87K series I/O modules and remote I/O expansions are available to use our Ethernet I/O modules and RS-485 I/O modules.

Since WES7 has the same Win32 API as Windows 7, most popular applications on desktop can run on WES7 based PACs.

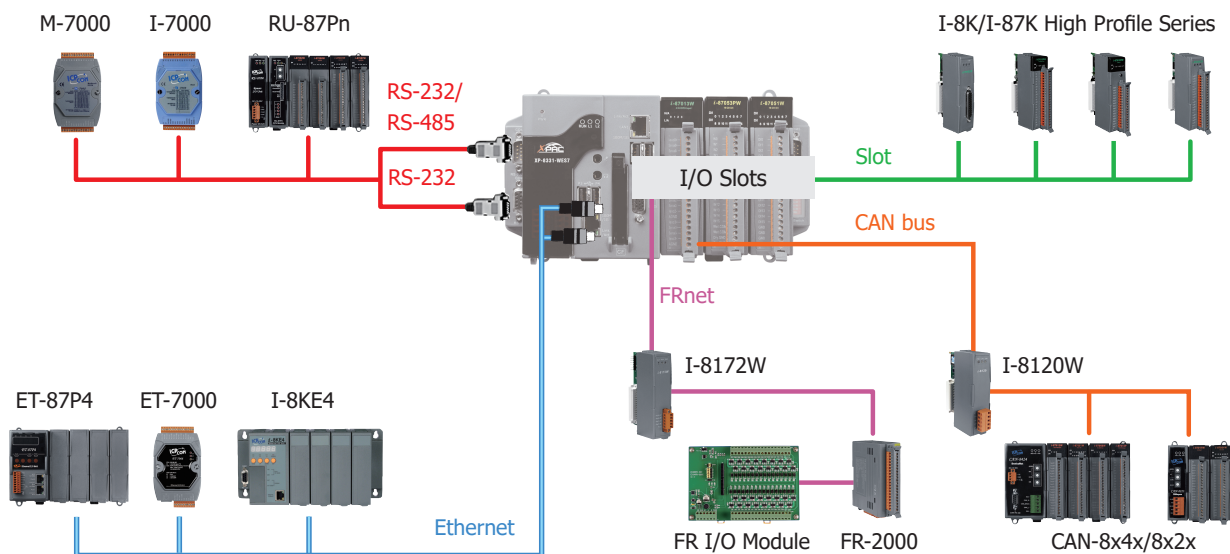
Windows Embedded Standard 7.0



Most of the popular features in Windows software are included, such as EWF (Enhanced Write Filter), Remote Desktop Connection, IIS, ASP/ASP.NET, .NET Framework 4.5 and also supports rich development software solutions, such as VS 6.0, VS.NET, VB, Delphi, BCB, InduSoft.

- Full Win32 API
- Remote Desktop Protocol 5.1
- Silverlight 5
- Enhanced Write Filter
- .NET Framework 3.5, 4.0, 4.5, 4.7

Applications

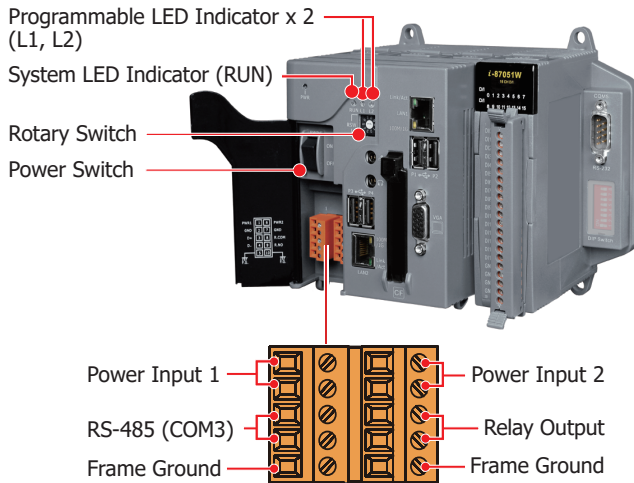


Specifications

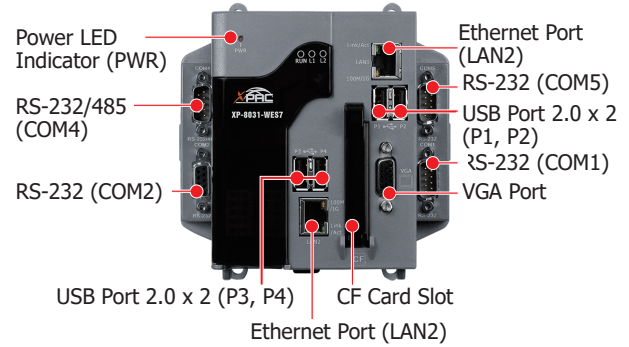
Model	XP-8031-WES7	XP-8131-WES7	XP-8331-WES7	XP-8731-WES7
Software				
OS	Windows Embedded Standard 7 SP1 x86 (32-bit)			
Framework Support	.Net Compact Framework 4.5			
Service	IE11, FTP Server, IIS 7.0, ASP (Java Script, VB Script)			
SDK	DII for VC, DII for Visual Studio.Net			
Multilanguage Support	English, German, French, Spanish, Portuguese, Russian, Italian, Korean, Japanese, Simplified Chinese, Traditional Chinese			
Main Unit				
CPU	x86 CPU, 1 GHz, dual-core			
SDRAM	2 GB DDR3 SDRAM			
MRAM	512 KB			
Flash	32 GB			
EEPROM	16 KB			
Storage	16 GB CF card (up to 32 GB)			
RTC (Real Time Clock)	Provide seconds, minutes, hours, day of week/month, month and year			
64-bit Hardware Serial Number	Yes, for software copy protection			
Watchdog Timer	Dual Watchdog Timer			
Real Time Clock	Provide seconds, minutes, hours, dates, day of week, month, year			
Rotary Switch	1 x 10 Position (0 ~ 9)			
DIP Switch	8-bit for address			
VGA & Communication Ports				
VGA Resolution	1024 x 768, 800 x 600 , 640 x 480			
Ethernet	2 x RJ-45 10/100/1000M Base-TX (Auto-negotiating, Auto MDI/MDI-X, LED indicators)			
USB 2.0 (host)	4			
COM1	RS-232 (Rx/D, Tx/D and GND); non-isolated	Internal communication with the I-87K series modules in slots		
COM2	RS-232 (Rx/D, Tx/D and GND); non-isolated			
COM3	RS-485 (Data+, Data-) with internal self-tuner ASIC; 3000 VDC isolated			
COM4	RS-232/RS-485 (Rx/D, Tx/D, CTS, RTS, GND for RS-232, Data+, Data- for RS-485); non-isolated			
COM5	RS-232 (Rx/D, Tx/D, CTS, RTS, DSR, DTR, CD, RI and GND); non-isolated			
I/O Expansion				
I/O Expansion Slot	-	1	3	7
Mechanical				
Dimension (W x L x H), unit: mm	137 x 132 x 125	169 x 132 x 125	231 x 132 x 125	355 x 132 x 125
Installation	DIN-Rail, Wall mounting			
Environmental				
Operating Temperature	-25 ~ +75 °C			
Storage Temperature	-30 ~ +80 °C			
Humidity	10 ~ 90 % RH, Non-condensing			
Power				
Input Range	+10 ~ +30 VDC			
Isolation	1 kV			
Redundant Power Input	Yes, with one power relay (1 A @ 24 VDC) for alarm			
Capacity	20 W	25 W	30 W	35 W
Consumption	12 W (0.5 A @ 24 VDC)	16.6 W (0.69 A @ 24 VDC)	16.8 W (0.7 A @ 24 VDC)	18 W (0.75 A @ 24 VDC)

Appearance

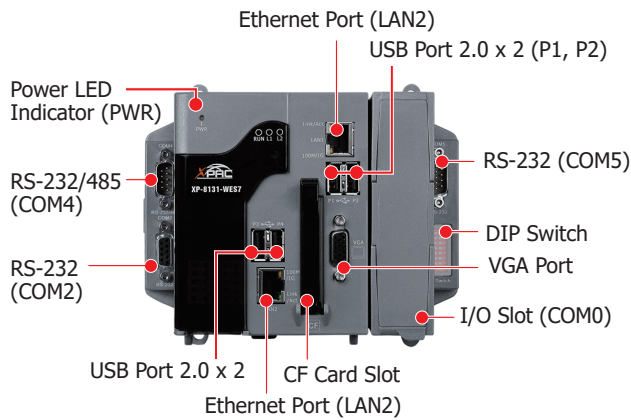
XP-8000-WES7



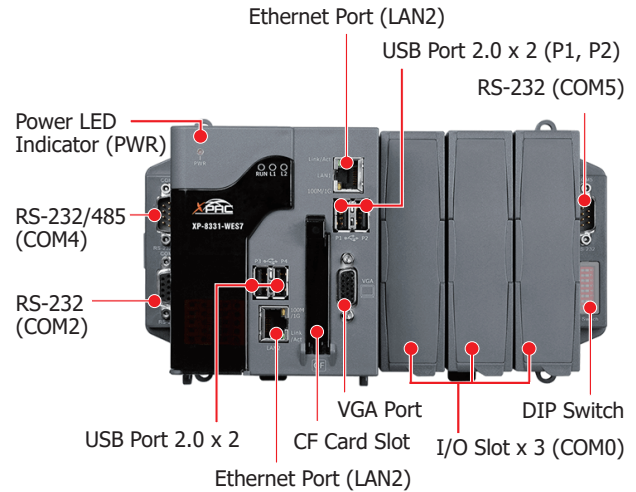
XP-8031-WES7



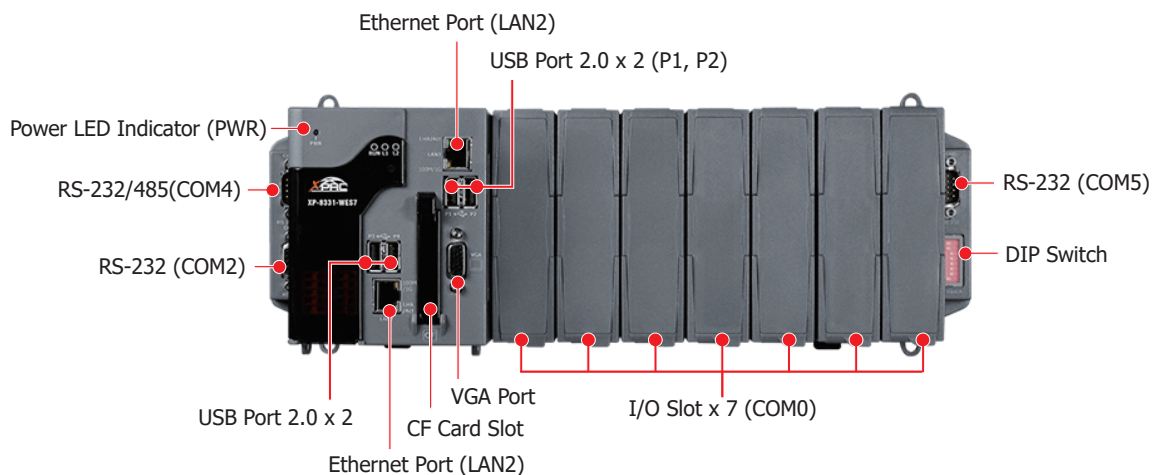
XP-8131-WES7



XP-8331-WES7

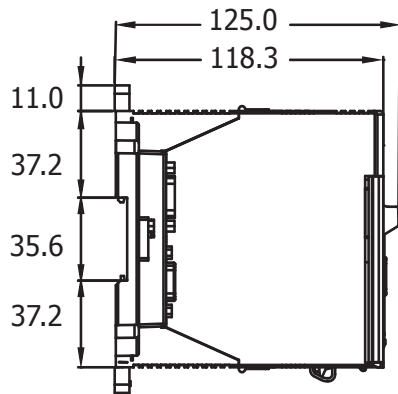


XP-8731-WES7



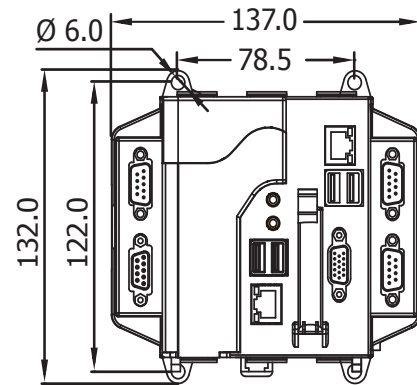
■ Dimensions (Units: mm)

XP-8000-WES7



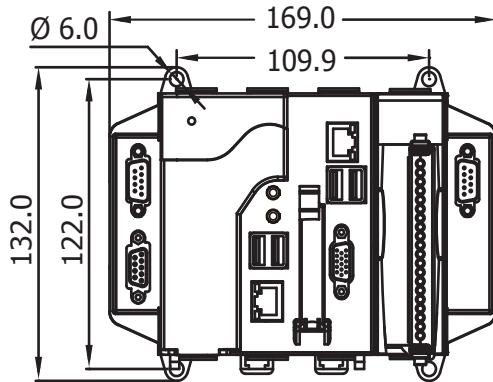
Left Side View

XP-8031-WES7



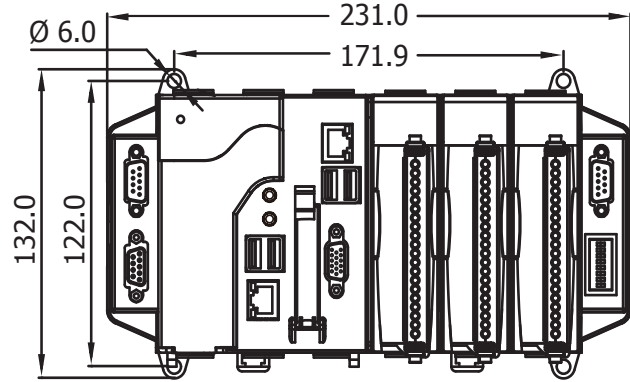
Front View

XP-8131-WES7



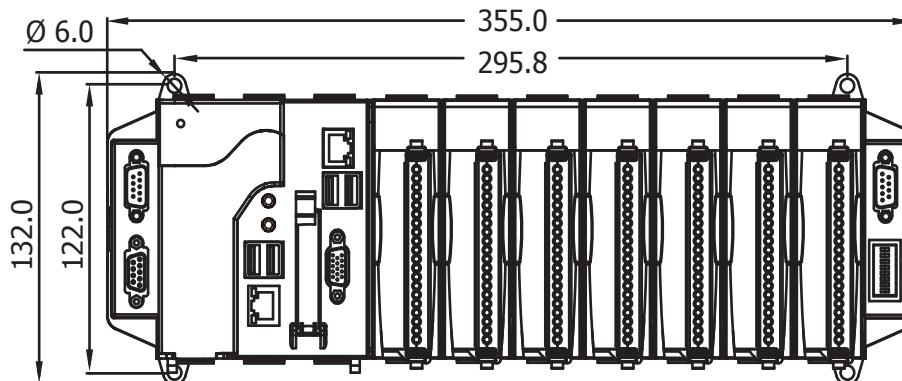
Front View

XP-8331-WES7



Front View

XP-8731-WES7



Front View

■ Ordering Information

XP-8031-WES7 CR	Standard PAC with x86 CPU and WES7 (RoHS)
XP-8131-WES7 CR	1-slot Standard PAC with x86 CPU and WES7 (RoHS)
XP-8331-WES7 CR	3-slot Standard PAC with x86 CPU and WES7 (RoHS)
XP-8731-WES7 CR	7-slot Standard PAC with x86 CPU and WES7 (RoHS)