

# SCMD-MORO/MORC



## Miniature Digital Relay Output Modules

### Description

The SCMD digital relay output modules are used for switching AC and DC loads such as relays, solenoids, motor starters, or indicator lamps. All models provide up to 1000Vrms of optical isolation between the field device and the control logic. Functionality is denoted by case color—relay modules are brown.

The -MOROxx models have a normally open contact and the -MORCxx models have a normally closed contact.

Six backpanels are available for mounting SCMD-M relay output modules. See "Accessories" section.

### ► Features

- Resistive Load Only
- Max On-state Current 1A, 30WDC, 62.5VA
- Max Turn-on Time 2ms
- Max Turn-off Time 1ms
- 1000Vrms Isolation
- Plug into Backpanels for Miniature or Full-Sized Modules
- Industry Standard Pinout and Footprint
- Operating Temperature -30°C to +80°C
- UL Listed, CSA Certified, CE Compliant

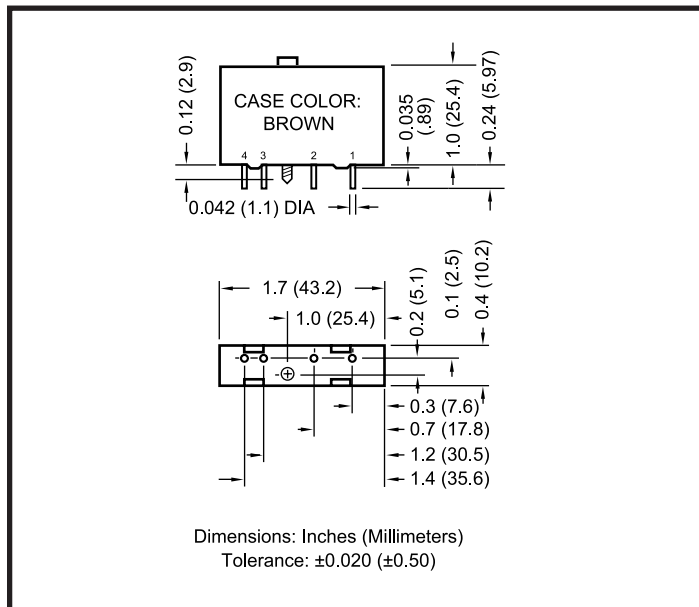


Figure 1: SCMD-MORO/MORC Physical Dimensions

### Ordering Information

Model	Output Range	Supply Voltage	Contact
SCMD-MORO5	100/125 VDC/Vrms	5V	Normally open
SCMD-MORC5	100/125 VDC/Vrms	5V	Normally closed
SCMD-MORO24	100/125 VDC/Vrms	24V	Normally open
SCMD-MORC24	100/125 VDC/Vrms	24V	Normally closed

SCMD

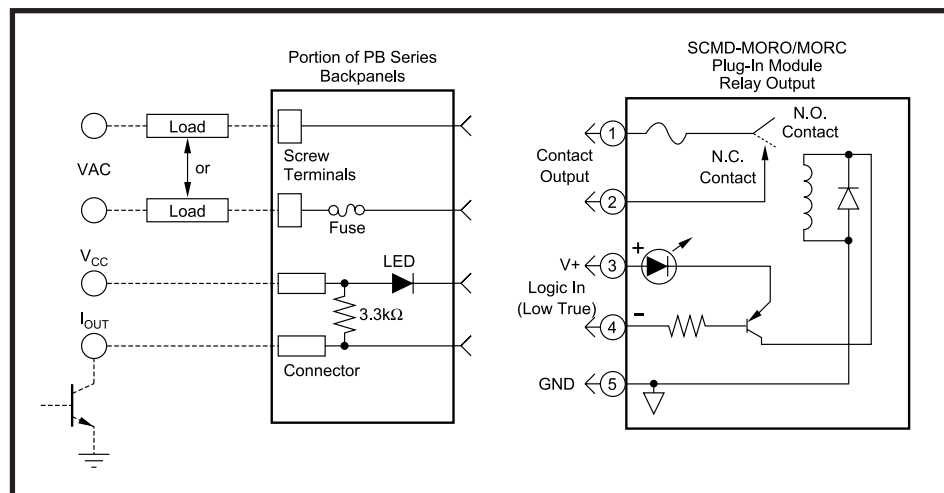


Figure 2: SCMD-MORO/MORC Circuit Diagrams