

Datasheet

CFexpress 4TE3 series

- PCIe Gen3 x2, NVMe 1.4 SSD
- Standard/Wide-temperature
- iPowerguard
- iDataguard
- Hybrid Write Mode with SLC cache Enable
- Dynamic Thermal Management
- Support Write Protection (optional)
- Support AES & TCG OPAL Function (optional)



Introduction

Innodisk CFexpress 4TE3 adopts CFexpress Version 1.0 type B Form-Factor. With PCIe interface and 3D TLC NAND Flash, CFexpress 4TE3 supports PCIe Gen3 x2 and is compliant with NVMe 1.4, providing excellent top and sustained performance. Moreover, it adopts 3D TLC NAND Flash providing high endurance and reliability. With sophisticated error detection and correction (ECC) functions, the module can provide full End-to-end Data Path Protection that secures the data transmission between the host system and NAND Flash.

Innodisk CFexpress 4TE3 is a small and removable memory card providing low latency and extreme speed but with low power consumption. It is ideal for gaming, edge computing and professional digital recording.

Innodisk CFexpress 4TE3 is designed with AES engine, which is a built in controller. When controller receives the data package from host, AES engine encrypts the data package and saves the encrypted data into NAND flash. Thus, unauthorized personal has no access to decrypt the data in NAND flash.

CFexpress 4TE3 series

Contact us for more information
about the CFexpress 4TE3.

Innodisk is a service-driven provider of industrial embedded flash and DRAM storage products and technologies, with a focus on the cloud computing, industrial/embedded, and aerospace and defense industries.

Headquarters (Taiwan)

5F., No. 237, Sec. 1, Datong Rd., Xizhi
Dist., New Taipei City 221, Taiwan
Tel: +886-2-7703-3000
Email: sales@innodisk.com

Branch Offices:

USA
usasales@innodisk.com
+1-510-770-9421

Europe
eusales@innodisk.com
+31-40-3045-400

Japan
jpsales@innodisk.com
+81-3-6667-0161

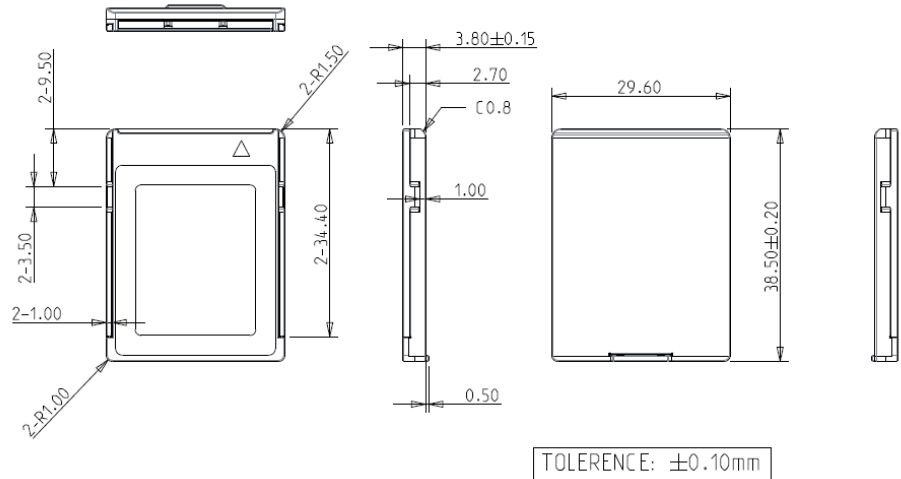
China
sales_cn@innodisk.com
+86-755-21673689

www.innodisk.com

© 2022 Innodisk Corporation.
All right reserved. Specifications are
subject to change without
prior notice.

20230821

Diagram



Specifications

Interface	PCIe Gen3 x2
Flash Type	3D TLC
P/E cycle	3,000
Capacity	128GB~2TB
Max. Channels	4
Sequential R/W (MB/sec, max.)	1,750/1,500
Max. Power Consumption	3W
Thermal Sensor	√
External DRAM buffer	-
H/W Write Protect	√ (optional)
AES	√
TCG OPAL	√ (optional)
Dimension (WxLxH)	29.6 X 38.5 X 3.8 mm
Environment	Vibration: 20G @7~2000Hz Shock: 1500G @ 0.5ms Storage Temperature: -40°C ~ +85°C MTBF: 3 million hours

Ordering Information

Operation Temp.	128GB	256GB	512GB	1TB	2TB
Standard Grade (0°C ~ +70°C)	DECFX- A28DH1KCADF(W)	DECFX- B56DH1KCAQF(W)	DECFX- C12DH1KCAQF(W)	DECFX- 01TDH1KCAQF(W)	DECFX- 02TDH1KCAQF(W)
Industrial Grade (-40°C ~ +85°C)	DECFX- A28DH1KWADF(W)	DECFX- B56DH1KWAQF(W)	DECFX- C12DH1KWAQF(W)	DECFX- 01TDH1KWAQF(W)	DECFX- 02TDH1KWAQF(W)

W: HW Write Protect

For TCG OPAL function, the PN Code 10th~12th will be DH2.

innodisk

www.innodisk.com