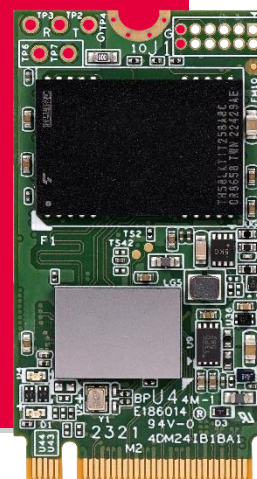


Datasheet

M.2 (P42) 3TE4 series

- PCIe Gen. III x4, NVMe 1.3
- DRAM-less Solution
- Anti-Vibration mechanical design
- Dynamic Thermal Management
- iPower Guard Protection
- iData Guard Data Protection



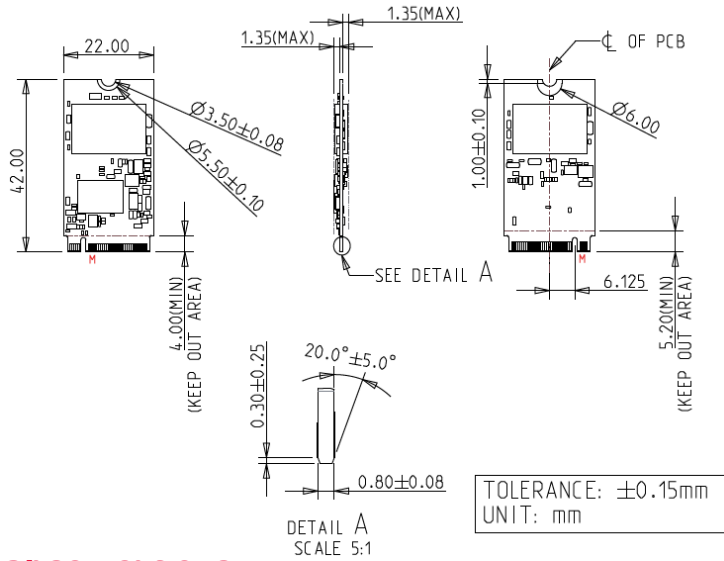
Introduction

Innodisk M.2 (P42) 3TE4 is a NVM Express DRAM-less SSD designed with PCIe interface and industrial 3D TLC NAND Flash. M.2 (P42) 3TE4 supports PCIe Gen III x 4 and it is compliant with NVMe 1.3 providing excellent top and also outstanding sustained performance. With sophisticated error detection and correction (ECC) functions, the module can ensure full End-to-End data path protection that secures the data transmission between host system and NAND Flash.

M.2 (P42)

3TE4 series

Diagram



Contact us for more information about the M2 (P42) 3TE4.

Innodisk is a service-driven provider of industrial embedded flash and DRAM storage products and technologies, with a focus on the cloud computing, industrial/embedded, and aerospace and defense industries.

Headquarters (Taiwan)

5F., No. 237, Sec. 1, Datong Rd., Xizhi Dist., New Taipei City 221, Taiwan
Tel: +886-2-7703-3000
Email: sales@innodisk.com

Branch Offices:

USA
usasales@innodisk.com
+1-510-770-9421

Europe
eusales@innodisk.com
+31-40-3045-400

Japan
jpsales@innodisk.com
+81-3-6667-0161

China
sales_cn@innodisk.com
+86-755-21673689
www.innodisk.com

© 2023 Innodisk Corporation.
All right reserved. Specifications are subject to change without prior notice.

Interface	PCIe Gen. III x4
Flash Type	3D TLC
P/E cycle	3,000
Capacity	256GB~512GB
Max. Channels	4
Sequential R/W (MB/s, Max)	2,600/1,750
Max. Power Consumption (RMS)	3.9W
Thermal Sensor	√
External DRAM buffer	NA
H/W Write Protect	NA
iCell	NA
Dimension (WxLxH)	22.0 X 42.0 X 1.35 mm
Environment	Vibration: 20G @7~2000Hz Shock: 1500G @ 0.5ms Storage Temperature: -40°C ~ +85°C MTBF: 3 million hours

Ordering Information

Operation Temp.	256GB	512GB
Standard Grade (0°C ~ +70°C)	DEM24-B56IB1KCAQF	DEM24-C12IB1KCAQF