

Datasheet

M.2 (P80) 3TE4 series

- PCIe Gen. III x4, NVMe 1.3
- DRAM-less Solution
- Anti-Vibration mechanical design
- Dynamic Thermal Management
- iPower Guard Protection
- iData Guard Data Protection



Introduction

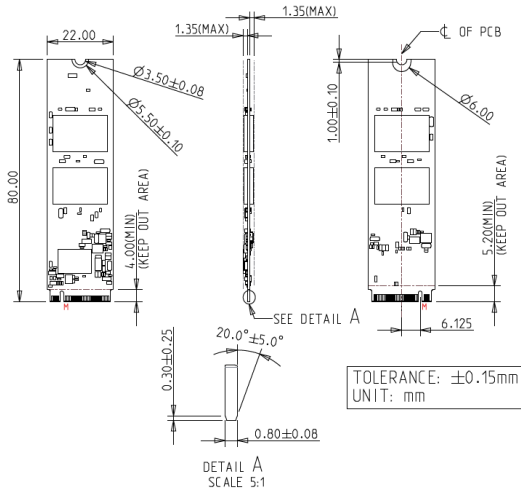
Innodisk M.2 (P80) 3TE4 is a NVM Express DRAM-less SSD designed with PCIe interface and industrial 3D TLC NAND Flash. M.2 (P80) 3TE4 supports PCIe Gen III x 4 and it is compliant with NVMe 1.3 providing excellent top and also outstanding sustained performance. With sophisticated error detection and correction (ECC) functions, the module can ensure full End-to-End data path protection that secures the data transmission between host system and NAND Flash.

M.2 (P80)

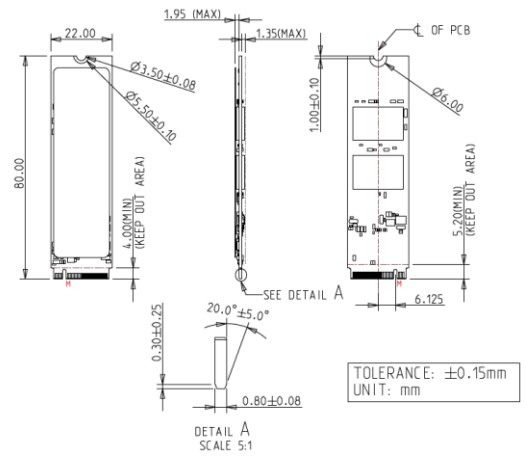
3TE4 series

Diagram

ST



WT



Contact us for more information about the M2 (P80) 3TE4.

Innodisk is a service-driven provider of industrial embedded flash and DRAM storage products and technologies, with a focus on the cloud computing, industrial/embedded, and aerospace and defense industries.

Headquarters (Taiwan)

5F., No. 237, Sec. 1, Datong Rd., Xizhi Dist., New Taipei City 221, Taiwan
Tel: +886-2-7703-3000
Email: sales@innodisk.com

Branch Offices:

USA
usasales@innodisk.com
+1-510-770-9421
Europe
eusales@innodisk.com
+31-40-3045-400
Japan
jpsales@innodisk.com
+81-3-6667-0161
China
sales_cn@innodisk.com
+86-755-21673689
www.innodisk.com

© 2023 Innodisk Corporation.
All right reserved. Specifications are subject to change without prior notice.

Specifications

Interface	PCIe Gen. III x4
Flash Type	3D TLC
P/E cycle	3,000
Capacity	256GB~1TB
Max. Channels	4
Sequential R/W (MB/s, Max)	2,600/1,800
Max. Power Consumption (RMS)	4W
Thermal Sensor	√
External DRAM buffer	NA
H/W Write Protect	NA
iCell	NA
Dimension (WxLxH)	22.0 X 80.0 X 1.35 mm
Environment	Vibration: 20G @7~2000Hz Shock: 1500G @ 0.5ms Storage Temperature: -40°C ~ +85°C MTBF: 3 million hours

Ordering Information

Operation Temp.	256GB	512GB	1TB
Standard Grade (0°C ~ +70°C)	DEM28-B56IB1KCAQF	DEM28-C12IB1KCAQF	DEM28-01TIB1KCAQF
Industrial Grade (-40°C ~ +85°C)	DEM28-B56IB1KWAQF	DEM28-C12IB1KWAQF	DEM28-01TIB1KWAQF