

Datasheet

# M.2 (P80) 3TG6-P series

- PCIe Gen. III x4, NVMe 1.3
- Excellent data transfer speed
- Stable sustained performance
- Heat-spreading design
- LDPC ECC engine supported.



## Introduction

Innodisk M.2 (P80) 3TG6-P is an NVM Express SSD designed as the standard M.2 form factor with PCIe interface and 3D TLC NAND Flash. M.2 (P80)3TG6-P supports PCIe Gen III x4, and it is compliant with NVMe 1.3 providing excellent performance. M.2 (P80) 3TG6-P with heat-spreading design dissipate heat generating from IC making SSD perform more steady. M.2 (P80) 3TG6-P have Die RAID protection to reduce bad blocks happening and optimize data integrity.

Innodisk M.2 (P80) 3TG6-P provides ultra-speed and high IOPS and offers maximum capacity up to 2TB, making the SSD optimal for server and heavy data workload applications.

# M.2 (P80) 3TG6-P series

Contact us for more information about the M.2 (P80) 3TG6-P.

Innodisk is a service-driven provider of industrial embedded flash and DRAM storage products and technologies, with a focus on the cloud computing, industrial/embedded, and aerospace and defense industries.

## Headquarters (Taiwan)

5F., No. 237, Sec. 1, Datong Rd., Xizhi Dist., New Taipei City 221, Taiwan  
Tel: +886-2-7703-3000  
Email: sales@innodisk.com

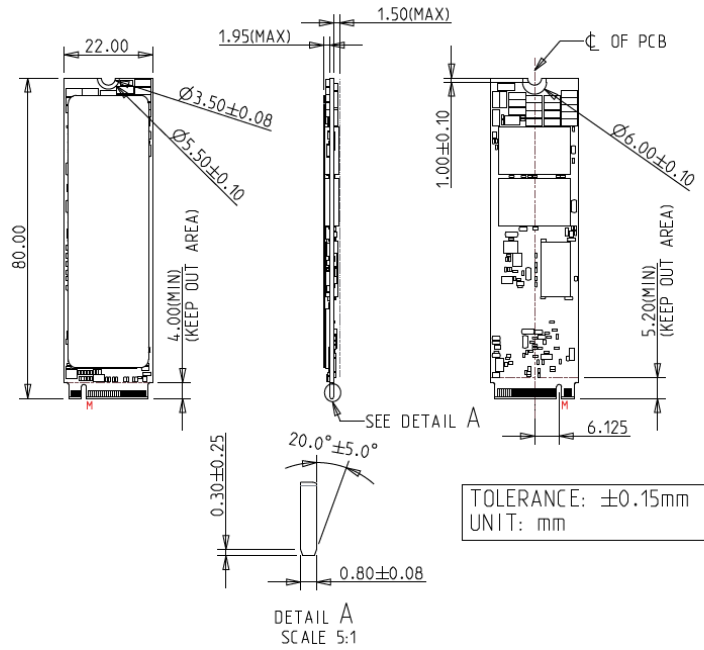
## Branch Offices:

USA  
[usasales@innodisk.com](mailto:usasales@innodisk.com)  
+1-510-770-9421  
Europe  
[eusales@innodisk.com](mailto:eusales@innodisk.com)  
+31-40-3045-400  
Japan  
[jpsales@innodisk.com](mailto:jpsales@innodisk.com)  
+81-3-6667-0161  
China  
[sales\\_cn@innodisk.com](mailto:sales_cn@innodisk.com)  
+86-755-21673689  
[www.innodisk.com](http://www.innodisk.com)

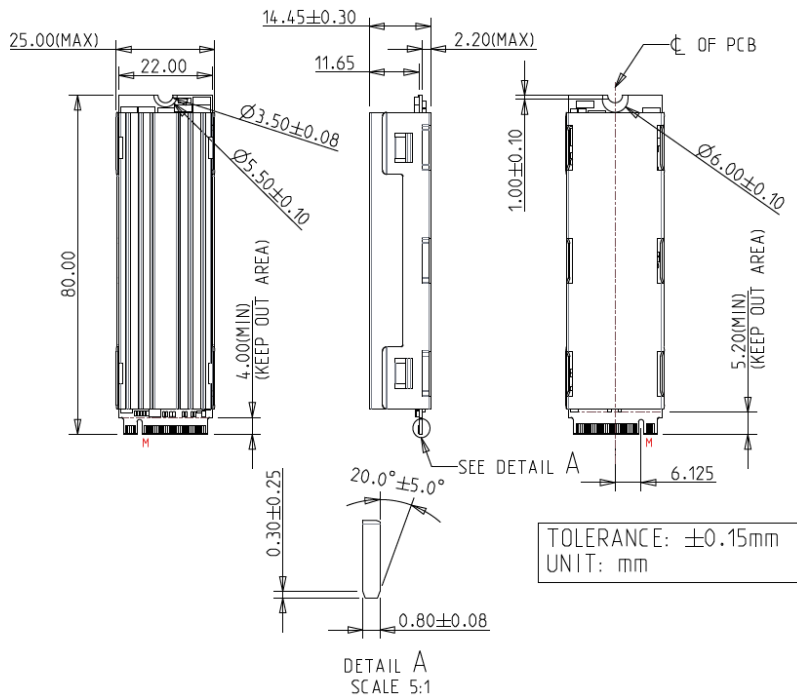
© 2022 Innodisk Corporation.  
All right reserved. Specifications are subject to change without prior notice.

20221110

## Diagram(ST)



## Diagram(WT)



# M.2 (P80)

## 3TG6-P series

### Diagram(ST)

Contact us for more information about the M.2 (P80) 3TG6-P.

Innodisk is a service-driven provider of industrial embedded flash and DRAM storage products and technologies, with a focus on the cloud computing, industrial/embedded, and aerospace and defense industries.

#### Headquarters (Taiwan)

5F., No. 237, Sec. 1, Datong Rd., Xizhi Dist., New Taipei City 221, Taiwan  
Tel: +886-2-7703-3000  
Email: sales@innodisk.com

#### Branch Offices:

USA  
[usasales@innodisk.com](mailto:usasales@innodisk.com)  
+1-510-770-9421  
Europe  
[eusales@innodisk.com](mailto:eusales@innodisk.com)  
+31-40-3045-400  
Japan  
[jpsales@innodisk.com](mailto:jpsales@innodisk.com)  
+81-3-6667-0161  
China  
[sales\\_cn@innodisk.com](mailto:sales_cn@innodisk.com)  
+86-755-21673689  
[www.innodisk.com](http://www.innodisk.com)

© 2022 Innodisk Corporation.  
All right reserved. Specifications are subject to change without prior notice.

20221104

Interface	PCIe Gen. III x4
Flash Type	3D TLC
P/E cycle	3,000
Capacity	128GB~2TB
Max. Channels	8
Sequential R/W (MB/sec, max.)	3,450/2,600
Max. Power Consumption	8W
Thermal Sensor	√
External DRAM buffer	√
H/W Write Protect	NA
Dimension (WxLxH)	ST with heat-spreading copper layer: 22.0 X 80.0 X 3.95 mm WT with heatsink: 23.6 X 80.0 X 14.45 mm (Pure M.2: 22.0 X 80.0 X 3.5 mm)
Environment	Vibration: 20G @7~2000Hz Shock: 1500G @ 0.5ms Storage Temperature: -40°C ~ +85°C MTBF: 3 million hours

## Ordering Information

Operation Temp.	128GB	256GB	512GB	1TB	2TB
Standard Grade (0°C ~ +70°C)	DGM28-A28DC1KCBDF	DGM28-B56DC1KCBQF	DGM28-C12DC1KCBEF	DGM28-01TDC1KCBEF	DGM28-02TDC1KCBEF
Industrial Grade (-40°C ~ +85°C)	DGM28-A28DC1KWDFH	DGM28-B56DC1KWBFH	DGM28-C12DC1KWBEFH	DGM28-01TDC1KWBEFH	DGM28-02TDC1KWBEFH