

Datasheet

M.2 (P80) 4TG2-P series

- PCIe Gen. 4x4, NVMe 1.4
- Excellent data transfer speed
- Stable sustained performance
- Heat-spreading design
- LDPC ECC engine supported.
- Thermal Throttling management



Introduction

Innodisk M.2 (P80) 4TG2-P is an NVM Express SSD designed as the standard M.2 form factor with PCIe interface and 3D TLC NAND Flash. M.2 (P80) 4TG2-P supports PCIe Gen. 4x4, and it is compliant with NVMe 1.4 providing excellent performance. M.2 (P80) 4TG2-P with heat-spreading design dissipate heat generating from IC making SSD perform more steady. M.2 (P80) 4TG2-P has Die RAID protection to reduce bad blocks happening and optimize data integrity.

Innodisk M.2 (P80) 4TG2-P provides ultra-speed and high IOPS and offers maximum capacity up to 4TB, making the SSD optimal for server and heavy data workload applications.

M.2 (P80) 4TG2-P series

Contact us for more information
about the M.2 (P80) 4TG2-P.

Innodisk is a service-driven provider of industrial embedded flash and DRAM storage products and technologies, with a focus on the cloud computing, industrial/embedded, and aerospace and defense industries.

Headquarters (Taiwan)

5F., No. 237, Sec. 1, Datong Rd., Xizhi
Dist., New Taipei City 221, Taiwan
Tel: +886-2-7703-3000
Email: sales@innodisk.com

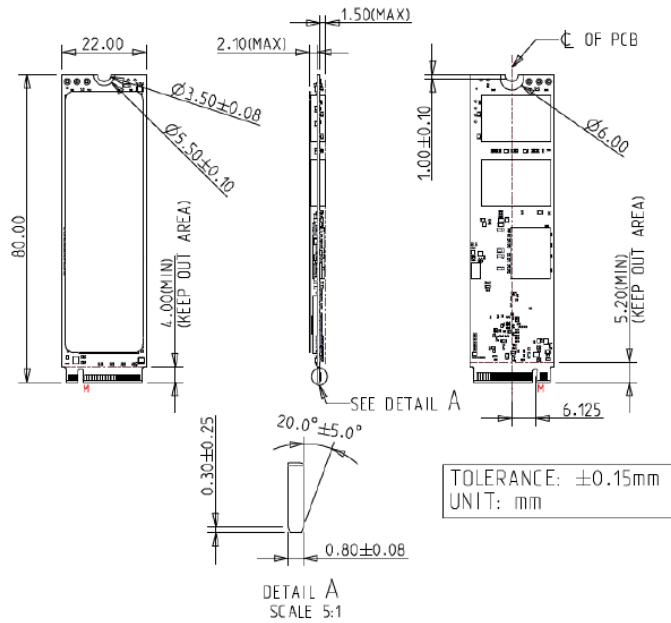
Branch Offices:

USA
usasales@innodisk.com
+1-510-770-9421
Europe
eusales@innodisk.com
+31-40-3045-400
Japan
jpsales@innodisk.com
+81-3-6667-0161
China
sales_cn@innodisk.com
+86-755-21673689
www.innodisk.com

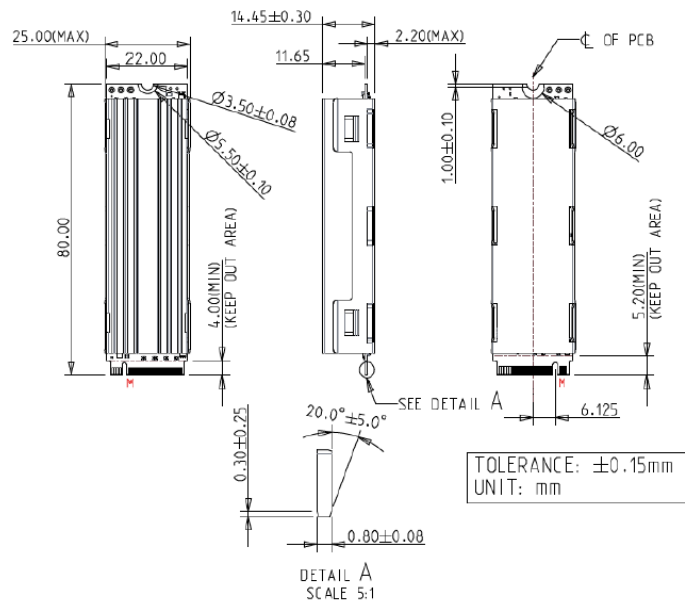
© 2022 Innodisk Corporation.
All right reserved. Specifications are
subject to change without
prior notice.

20230521

Diagram(ST)



Diagram(WT)



Specifications

Contact us for more information about the M.2 (P80) 4TG2-P.

Innodisk is a service-driven provider of industrial embedded flash and DRAM storage products and technologies, with a focus on the cloud computing, industrial/embedded, and aerospace and defense industries.

Headquarters (Taiwan)

5F., No. 237, Sec. 1, Datong Rd., Xizhi Dist., New Taipei City 221, Taiwan
Tel: +886-2-7703-3000
Email: sales@innodisk.com

Branch Offices:

USA
usasales@innodisk.com
+1-510-770-9421
Europe
eusales@innodisk.com
+31-40-3045-400
Japan
jpsales@innodisk.com
+81-3-6667-0161
China
sales_cn@innodisk.com
+86-755-21673689
www.innodisk.com

© 2022 Innodisk Corporation.
All right reserved. Specifications are subject to change without prior notice.

20230521

Interface	PCIe Gen. 4x4
Flash Type	3D TLC
P/E cycle	3,000
Capacity	512GB~4TB
Max. Channels	8
Sequential R/W (MB/sec, max.)	6,600/5,150
Max. Power Consumption	10.2W
Thermal Sensor	√
External DRAM buffer	√
H/W Write Protect	NA
Dimension (WxLxH)	ST with heat-spreading copper layer: 22.0 X 80.0 X 4.4 mm WT with heatsink: 25 X 80.0 X 14.45 mm (Pure M.2: 22.0 X 80.0 X 3.8 mm)
Environment	Vibration: 20G @7~2000Hz Shock: 1500G @ 0.5ms Storage Temperature: -40°C ~ +85°C MTBF: 3 million hours

Ordering Information

Operation Temp.	512GB	1TB	2TB	4TB
Standard Grade (0°C ~ +70°C)	DGM28-C12DP1KCCEL	DGM28-01TDP1KCCEL	DGM28-02TDP1KCCEL	DGM28-04TDP1KCCEQ
Industrial Grade (-40°C ~ +85°C)	DGM28-C12DP1KWCELH	DGM28-01TDP1KWCELH	DGM28-02TDP1KWCELH	DGM28-04TDP1KWCEQH

