

Datasheet

M.2 (P42) 3IE6 B+M Key series

- PCIe Gen. III x2, NVMe 1.3
- DRAM-less Solution
- Less Controller Heat
- Anti-Vibration Mechanical Design
- iSLC Mode for Excellent Performance & Endurance
- LDPC ECC Engine Supported.
- iPowerGuard Protection



Introduction

Innodisk M.2 (P42) 3IE6 is a NVM Express DRAM-less SSD designed with PCIe interface and industrial 3D TLC NAND Flash. M.2 (P42) 3IE6 supports PCIe Gen III x2 and it is compliant with NVM 1.3. With iSLC mode enabled, 3IE6 provides excellent sustaining performance and outstanding endurance. With sophisticated error detection and correction (ECC) functions, the module can ensure full End-to-End data path protection that secures the data transmission between host system and NAND Flash. In addition, with embedded AES-256 bit engine, your data can be further secured.

M.2 (P42)

3IE6 B+M Key series

Contact us for more information about the M2 (P42) 3IE6.

Innodisk is a service-driven provider of industrial embedded flash and DRAM storage products and technologies, with a focus on the cloud computing, industrial/embedded, and aerospace and defense industries.

Headquarters (Taiwan)

5F., No. 237, Sec. 1, Datong Rd., Xizhi Dist., New Taipei City 221, Taiwan
Tel: +886-2-7703-3000
Email: sales@innodisk.com

Branch Offices:

USA
usasales@innodisk.com
+1-510-770-9421

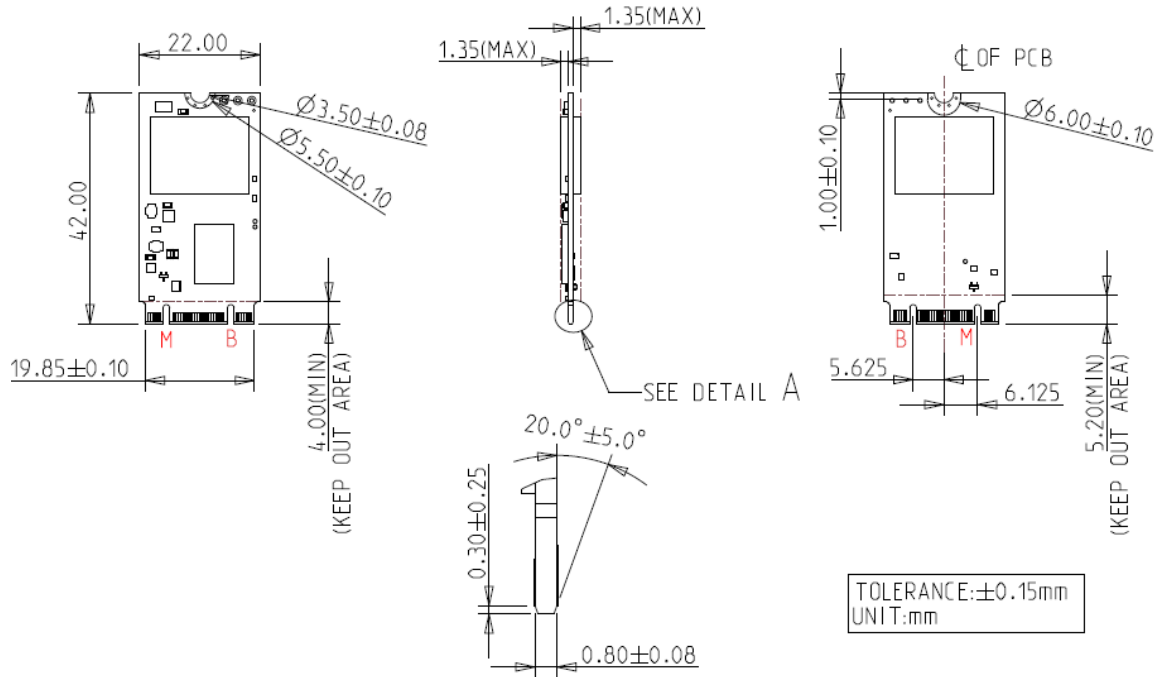
Europe
eusales@innodisk.com
+31-40-3045-400

Japan
jpsales@innodisk.com
+81-3-6667-0161

China
sales_cn@innodisk.com
+86-755-21673689

www.innodisk.com

© 2020 Innodisk Corporation.
All right reserved. Specifications are subject to change without prior notice.



Interface	PCIe Gen. III x2
Flash Type	iSLC(3D TLC)
P/E cycle	30,000
Capacity	20GB~160GB
Max. Channels	4
Sequential R/W (MB/s, Max)	1,650/1,450
Sustained Sequential Write (MB/s, Max, Room Temperature)	1,000
Max. Power Consumption (RMS)	3.5W
Thermal Sensor	√
External DRAM buffer	NA
H/W Write Protect	NA
iCell	NA
Dimension (WxLxH)	22.0 X 42.0 X 1.35 mm (Top side without Heat-Dissipating Copper Foil) 22.0 X 42.0 X 1.95 mm (Top side with Heat-Dissipating Copper Foil. Default setting for Industrial Grade PNs.)
Environment	Vibration: 20G @7~2000Hz Shock: 1500G @ 0.5ms Working Temperature: -40°C ~ +85°C MTBF: 3 million hours

Ordering Information

Operation Temp.	20GB	40GB	80GB	160GB
Standard Grade (0°C ~ +70°C)	DHM24-20GDD1ECCDF	DHM24-40GDD1ECCQF	DHM24-80GDD1ECCQF	DHM24-A60DD1ECCQF
Industrial Grade (-40°C ~ +85°C)	DHM24-20GDD1EWCDF	DHM24-40GDD1EWCQF	DHM24-80GDD1EWCQF	DHM24-A60DD1EWCQF