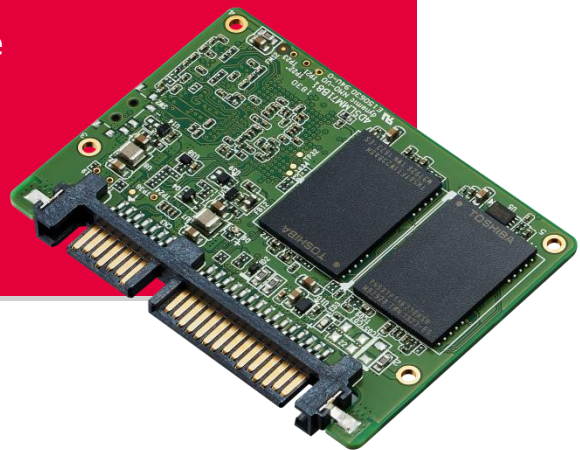


Datasheet

SATA Slim 3TG6-P series

- SATA Slim solution for industrial field
- High IOPS
- iSMART disk health monitoring
- End to end data path protection
- iData Guard for abnormal power failure
- iPower Guard for protecting unstable start up and shut down



Introduction

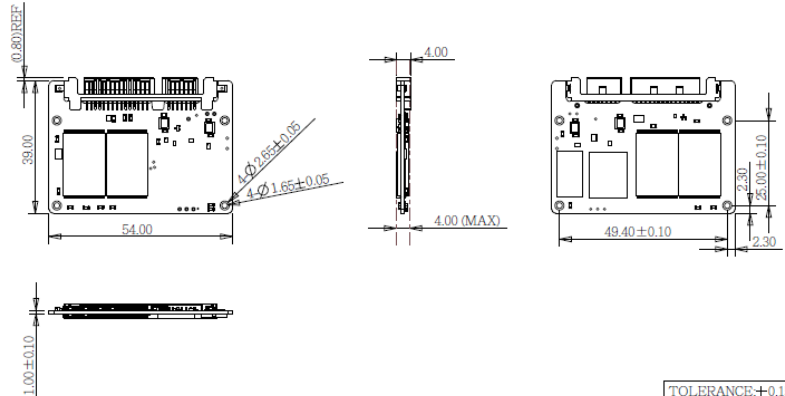
Innodisk SATA Slim 3TG6-P is SATA III 6Gb/s solid state disk, which delivers excellent performance, especially in random data transfer rate, and which offers reliability making it the ideal solution for a variety of applications, including embedded system, industrial computing, and enterprise field. 3TG6-P SATA Slim not only performs unmatched performance, but also designed with Innodisk owned technical knowhow to ensure the data integrity and highest levels of reliability.

SATA Slim 3TG6-P series

Drawing

Contact us for more information
about the SATA Slim 3TG6-P

Innodisk is a service-driven provider of industrial embedded flash and DRAM storage products and technologies, with a focus on the industrial/embedded, aerospace and defense, and cloud computing industries.



Specifications

Interface	SATA III
Flash Type	3D TLC
Capacity	128GB~512GB
Max. Channels	4
Sequential R/W (MB/sec, max.)*	550/510
4KB Random (QD32) R/W (IOPS)*	73000/ 65000
Max. Power Consumption	4.26W
Thermal Sensor	√
External DRAM Buffer	√
ATA Security	√
S.M.A.R.T.	√
Dimension (WxLxH)	54.0 X 39.0 X 4.0 mm
Environment	Vibration: 20G @7~2000Hz Shock: 1500G @ 0.5ms Storage Temperature: -55°C ~ +95°C MTBF: 3 million hours
* Sequential performance based on CystalDiskMark 5.1.2 with file size 1000MB	

Headquarters (Taiwan)

5F., No.237, Sec. 1, Datong Rd.,
Xizhi Dist., New Taipei City,
Taiwan (R.O.C.)
Tel: +886-2-77033000
Email: sales@innodisk.com

Branch Offices:

USA
usasales@innodisk.com
+1-510-770-9421
Europe
eusales@innodisk.com
+31-40-3045-400
Japan
jpsales@innodisk.com
+81-3-6667-0161
China
sales_cn@innodisk.com
+86-755-21673689
www.innodisk.com

© 2018 Innodisk Corporation.
All right reserved. Specifications
are subject to change without
prior notice.

20181022

Ordering Information

Operation Temp.	128GB	256GB	512GB
Standard Grade (0°C ~ +70°C)	DGSLM-A28M71EC1QF	DGSLM-B56M71EC1QF	DGSLM-C12M71EC1QF
Industrial Grade (-40°C ~ +85°C)	DGSLM-A28M71EW1QF	DGSLM-B56M71EW1QF	DGSLM-C12M71EW1QF