

Datasheet

mSATA

3IE7 series

- SATA III solution for industrial field
- Exclusive L³ architecture
- DRAM-less, 100% data integrity
- Excellent random performance
- Supports TRIM/NCQ/SMART
- Built in iData Guard
- Designed with hardware LDPC ECC engine



Introduction

Innodisk mSATA 3IE7 is SATA III 6.0 Gb/s flash based disk, which adopts latest SATA III NAND controller with Innodisk's exclusive L³ FW architecture. The upgraded L³ FW architecture, combining Innodisk signature 4K mapping algorithm L² FW architecture with powerful LDPC technology, makes 3IE7 series have outstanding high IOPS, better data integrity and extended lifespan through reducing the bad block number happening. Built-in thermal sensor, and iData Guard ensure data integrity and reliability of 3IE7 for industrial applications.

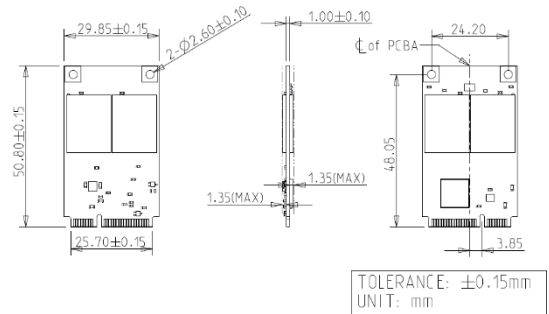
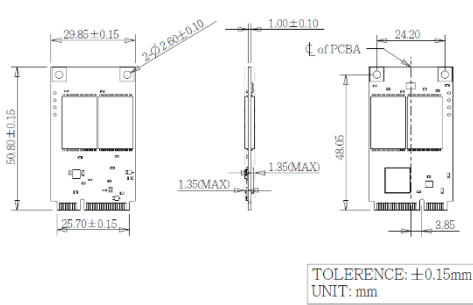
Innodisk mSATA 3IE7 is designed for industrial field, and supports several standard features, including TRIM, NCQ, and S.M.A.R.T. In addition, Innodisk's exclusive industrial-oriented firmware provides a flexible customization service, making it perfect for a variety of industrial applications.

mSATA 3IE7 series

Diagram

For 20GB~160GB

For 320-640GB



Contact us for more information about the mSATA 3IE7.

Innodisk is a service-driven provider of industrial embedded flash and DRAM storage products and technologies, with a focus on the industrial/embedded, aerospace and defense, and cloud computing industries.

Specifications

Interface	SATA III
Flash Type	iSLC (3D TLC)
P/E Cycle	30,000
Capacity	20GB~640GB
Max. Channels	4
Sequential R/W (MB/sec, max.)*	550 / 490 MB/s
4KB Random (QD32) R/W (IOPS)*	88,000/73,000
Max. Power Consumption	2.7W
Thermal Sensor	√
External DRAM Buffer	-
H/W Write Protect	Optional
ATA Security	√
S.M.A.R.T.	√
Dimension (WxLxH)	29.85 X 50.8 X 3.7 mm
Environment	Vibration: 20G @7~2000Hz Shock: 1500G @ 0.5ms Storage Temperature: -55°C ~ +95°C MTBF: 3 million hours
* Performance based on CystalDiskMark 5.1.2 with file size 1000MB	

Headquarters (Taiwan)

5F., No.237, Sec. 1, Datong Rd., Xizhi Dist., New Taipei City, Taiwan (R.O.C.)
Tel: +886-2-77033000
Email: sales@innodisk.com

Branch Offices:

USA
usasales@innodisk.com
+1-510-770-9421
Europe
eusales@innodisk.com
+31-40-3045-400
Japan
jpsales@innodisk.com
+81-3-6667-0161
China
sales_cn@innodisk.com
+86-755-21673689
www.innodisk.com

© 2021 Innodisk Corporation.
All right reserved. Specifications are subject to change without prior notice.

Ordering Information (Please refer to TPS for detail)

Operation Temp.	20GB	40GB	80GB	160GB	320GB	640GB
Standard Grade (0°C ~ +70°C)	DHMSR-20GDK1EC1DF	DHMSR-40GDK1EC1QF	DHMSR-80GDK1EC1QF	DHMSR-A60DK1EC1QF	DHMSR-D2GDK1ECAQF	DHMSR-F4GDK1ECAQF
Industrial Grade (-40°C ~ +85°C)	DHMSR-20GDK1EW1DF	DHMSR-40GDK1EW1QF	DHMSR-80GDK1EW1QF	DHMSR-A60DK1EW1QF	DHMSR-D2GDK1EWAQF	DHMSR-F4GDK1EWAQF