

KyAir800F

Industrial Explosion-proof Wireless WiFi6 AP



» Overview

KyAir800F explosion-proof AP is a product developed for the application of wireless local area network technology in explosive dangerous environments. It realizes the complete coverage of wireless network signals in industrial dangerous environments, and provides wireless connection, Internet of Things control and reliable data collection for dangerous environments. KyAir800F has IP66 protection level and IIC explosion-proof certification, and can work in the environment of $-40\text{ }^{\circ}\text{C} \sim 70\text{ }^{\circ}\text{C}$, it is especially suitable for dangerous goods production, logistics, warehousing and other links in chemical, pharmaceutical, petrochemical and energy industries, as well as oil and gas exploitation platforms and other applications.

Key Features

Support 802.11 a/b/g/n/ac/ax standard and 4*4 MIMO standard

Maximum transmission rate 4800Mbps (5G)&573Mbps (2.4G)

Support web page management, making the installation and maintenance of equipment more convenient

Support bridge and routing mode, by adjusting the network mode of the device, it can realize flexible deployment of network architecture

Intelligent QoS wireless multimedia optimization technology, and give priority to the transmission stability of voice and video

Support wireless controller (AC) management, realize remote centralized configuration and upgrade management,

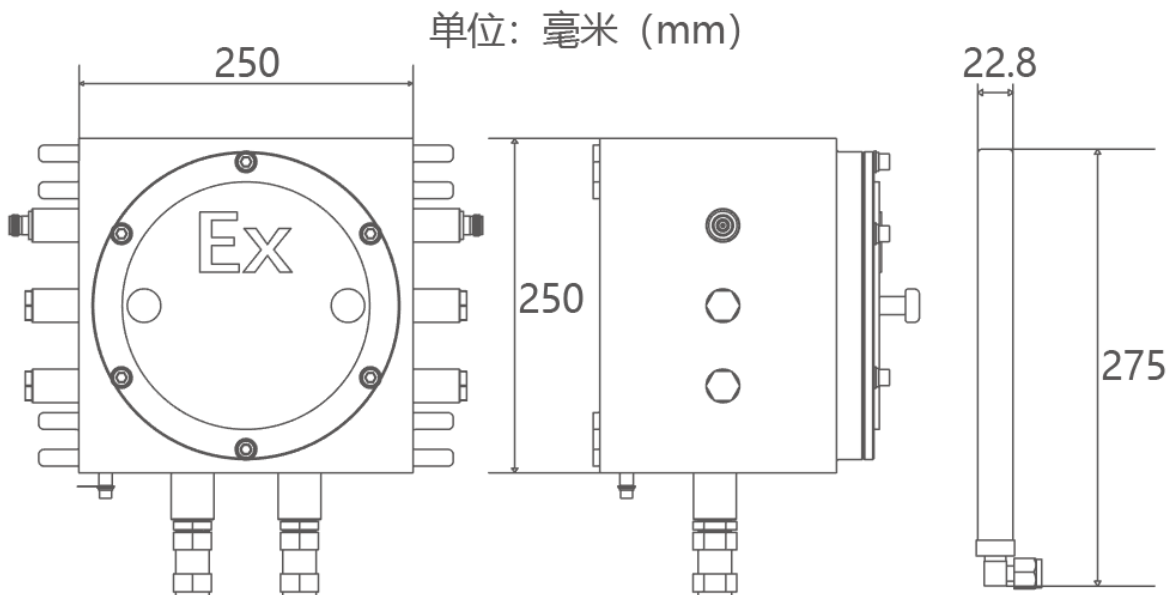
Protection grade IP66, working temperature -40 °C ~ 70 °C, explosion-proof grade IIC, suitable for a variety of harsh environments

Product Specifications

Hardware Specifications	Host size	320mm x 285mm x 244mm
	Weight	13 kg
	Mounting method	Wall mount
	Protection	IP66
	Antenna Gains	2.4 G: 6dBi 5G: 5dBi
	Explosion-proof grade	Exd IIC T6 Gb
	Power supply mode	48V POE + power supply
	Maximum Power Consumption (W)	12W
	Network interface	1 * 2.5 Gbps RJ45;1 * 10/100/1000Mbps RJ45
	Radio frequency interface	6 * N Type connector
	Maximum transmitting power	2.4 G: 24dBm 5G: 27dBm
	Operating temperature	-40°C~70°C
	Storage	-40°C~85°C

	temperature	
	Ambient Relative Humidity	5% ~ 95% non-condensing
	Surge immunity	POE/GE: common mode 4KV, differential mode 2KV
	Electrostatic discharge immunity	Contact discharge: 6KV, air discharge: 8KV
	Wind resistance velocity	150km/h
Software Specifications	Standard	IEEE 802.11 a/b/g/n/ac
	Working mode	Access Point, Client
	Security protocols	WPA3, Hide SSID, IP/MAC Filter
	Network model	Bridge/Routing
	Configuration Management	Support web configuration, AC remote management, SNMP management
	Others	MESH networking, load balancing, roaming enhancement, multi-VAP support, automatic frequency selection, client isolation, client speed limit, maximum number of users configuration, VLAN, firmware backup

» Mechanical Drawing



» Ordering Information

Product Model	Description
KyAir800F	Industrial explosion-proof Dual Radio 2.4G +5GHz Concurrent Wireless AP/Client/bridge, 802.11a/b/g/n/ac/ax WLAN, data rates up to 5373Mbps, IP66 Enclosure, support 802.3at PoE power supply ,support KyAir3006 wireless controller

Version:2024-03-14 16:44:25