



## MSM-508F Series

8-port Industrial Ethernet Layer 2 Managed Switch with 2-Fiber Port

### Features

- Automatic MDI/MDI-X crossover for plug-and-play
- Each port supports both 10/100 Mbps speed auto negotiation
- Full duplex IEEE 802.3x and half duplex backpressure flow control
- Built-in Cyber-Ring redundant technique
- Power failure alarm by relay output
- Modbus remote monitoring
- Supports Modbus OPC Server
- Store-and-forward architecture
- Multi-mode, SC Connector Fiber supports



### Introduction

The MSM-508F series is an 8-port Industrial Ethernet Layer 2 Managed Switch with 2-Fiber Port that secures data transmission by using fiber optic transmission to provide immunity from EMI/RFI interference. It is a perfect solution for applications where transmission must be protected from electrical exposure, surges, lightning or chemical corrosion.

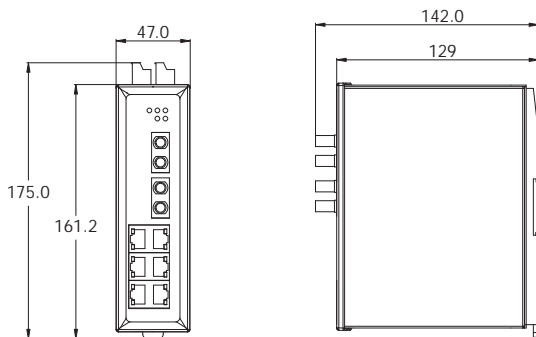
It can be managed through RS-232 port via serial console or Ethernet port using telnet or Web browser. In addition, the switch supports a lot of powerful managed functions, such as 802.1Q Tag-based VLAN, Port-based VLAN, 802.1p QoS (Quality of Service), Port Trunking, Spanning Tree, Cable Testing and Port Mirroring.

Built-in ICP DAS Cyber-Ring technique enables multiple switches to be placed into a redundant ring. Typically the switch detects and recovers from a fiber or copper link failure within approximately 20 ms – for the majority of applications, it is seamless. Modbus/TCP, Modbus/RTU and OPC supported, SCADA application can monitor status of Ethernet and fiber port with Modbus or OPC protocol.

MSM-508F provides two power inputs that can be connected simultaneously to live DC power sources. If one of the power inputs fails, the other live source will act as a backup to automatically support the its power needs. And the relay output facility can deliver warning signal while power or network link failure.

### Dimensions (Units: mm)

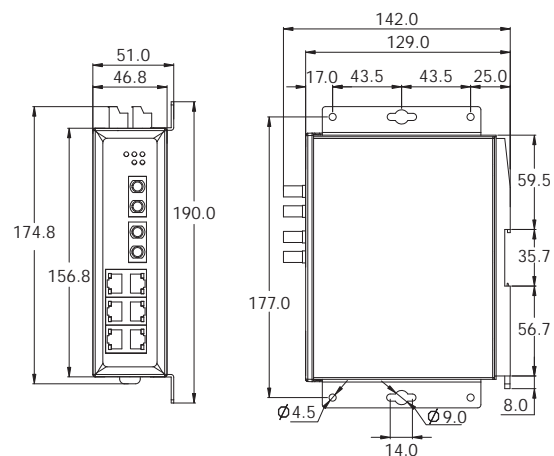
DIN-rail mounting



Front View

Right Side View

Wall mounting



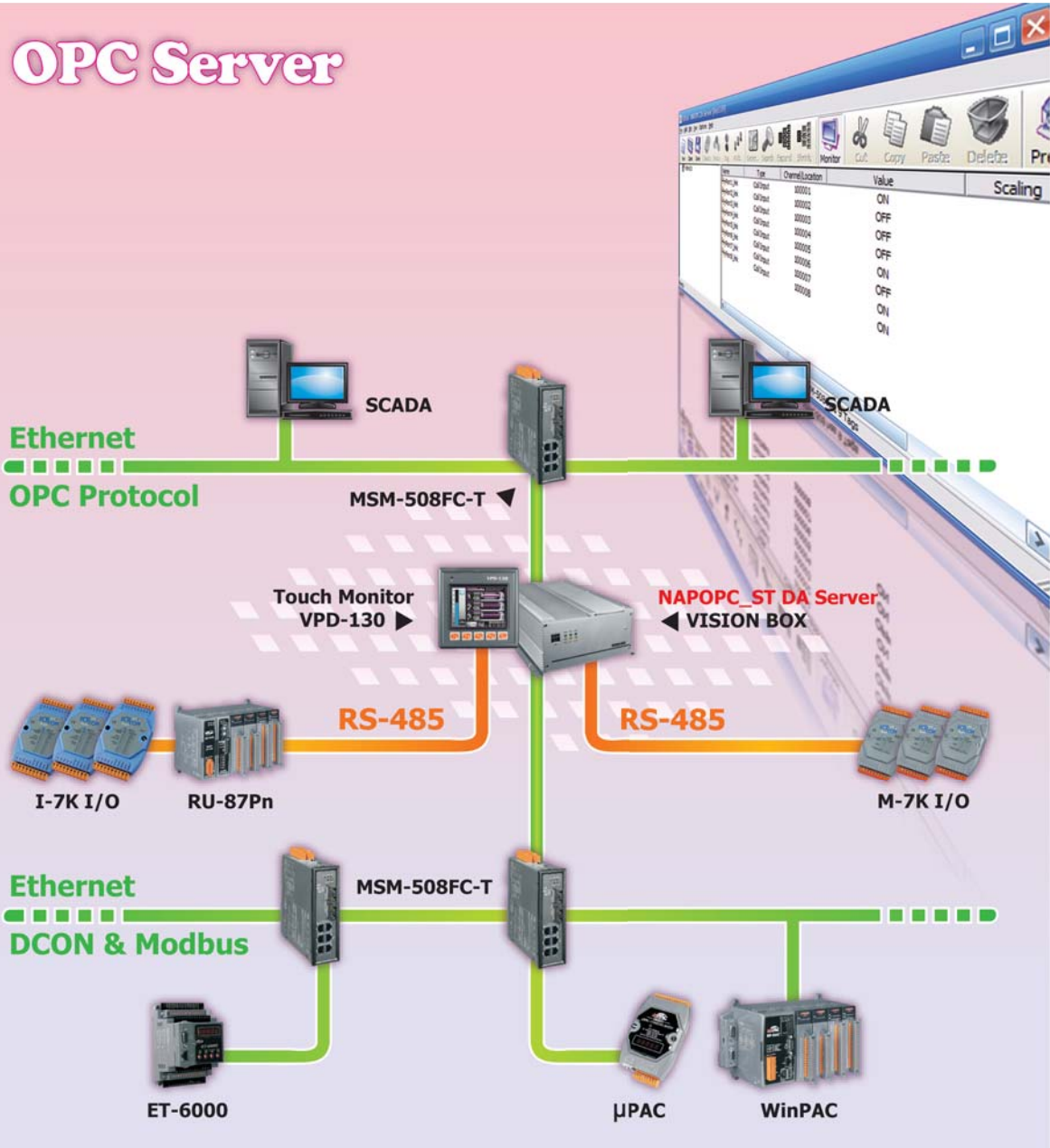
Front View

Right Side View

## Specifications

| Model                       | MSM-508FT-T  | MSM-508FC-T                        | MSM-508FCS-T                                       | MSM-508FCS-60T                                     |
|-----------------------------|--|------------------------------------|--|--|
| <b>LED Indicators</b>       |  |                                    |  |  |
| Status                      | 10/100M, Link/Act, Full duplex/Half duplex (Fiber Port)                                    |                                    |  |  |
| <b>Ethernet</b>             |  |                                    |  |  |
| Ports                       | 6 x RJ-45, 10/100Base-TX   |                                    |  |  |
| Standards                   | IEEE 802.3, 802.3u and 802.3x  |                                    |  |  |
| Processing Type             | Store & forward, wire speed switching  |                                    |  |  |
| MAC Table                   | 2048   |                                    |  |  |
| Memory Bandwidth            | 3.2 Gbps   |                                    |  |  |
| Frame Buffer Memory         | 1 Mbit   |                                    |  |  |
| Flow Control                | IEEE 802.3x flow control, back pressure flow control                                       |                                    |  |  |
| Protocol                    | VLAN, QoS, Port Trunk, SMTP, TELNET  |                                    |  |  |
| Redundant Strategy          | STP, Ring (ICP DAS)  |                                    |  |  |
| Isolation                   | 1500 Vrms 1 minute   |                                    |  |  |
| DIP Switch                  | Yes, Normal Run/Repair Mode  |                                    |  |  |
| <b>Fiber</b>                |  |                                    |  |  |
| Ports                       | 2-port 100 Base-FX<br>ST connector   | 2-port 100 Base-FX<br>SC connector |  |  |
| Mode                        | Multi-Mode   |                                    | Single-Mode  |  |
| Fiber Cable                 | 50/125, 62.5/125 or 100/140 $\mu$ m  |                                    | 8.3/125, 8.7/125, 9/125 or 10/125 $\mu$ m          |  |
| Distance                    | 2 km, (62.5/125 $\mu$ m recommended) for full duplex                                       |                                    | 30 km, (9/125 $\mu$ m recommended) for full duplex | 60 km, (9/125 $\mu$ m recommended) for full duplex |
| Wavelength                  | 1300 or 1310 nm  |                                    |  |  |
| TX Output                   | -20 dBm Min.<br>-14 dBm Max.   |                                    | -15 dBm Min.<br>-8 dBm Max.                        | -5 dBm Min.<br>0 dBm Max.                          |
| RX Sensitivity              | -34 ~ -31 dBm  |                                    | -36 ~ -31 dBm                                      | -35 dBm  |
| <b>Digital Input</b>        |  |                                    |  |  |
| Channels                    | 3  |                                    |  |  |
| Type                        | Wet Contact  |                                    |  |  |
| ON Voltage Level            | +19 VDC ~ +30 VDC  |                                    |  |  |
| OFF Voltage Level           | +11 VDC Max.   |                                    |  |  |
| <b>Digital Output</b>       |  |                                    |  |  |
| Channels                    | 3  |                                    |  |  |
| Type                        | Open Collector   |                                    |  |  |
| Sink/Source (NPN/PNP)       | Sink (NPN)   |                                    |  |  |
| Load Current                | 30V/100 mA Max.  |                                    |  |  |
| <b>COM Ports</b>            |  |                                    |  |  |
| Ports                       | 1 x RS-232 (Console)<br>1 x RS-485   |                                    |  |  |
| <b>Power</b>                |  |                                    |  |  |
| Reverse Polarity Protection | Yes  |                                    |  |  |
| Input Range                 | +12 VDC ~ +48 VDC Redundant Dual Inputs (Non-isolated)                                     |                                    |  |  |
| Redundant Power Inputs      | Yes  |                                    |  |  |
| Consumption                 | 0.3 A @ 24 VDC   |                                    |  |  |
| Alarm Output                | Yes, Relay 2 A @ 30 VDC  |                                    |  |  |
| <b>Mechanical</b>           |  |                                    |  |  |
| Casing                      | Metal  |                                    |  |  |
| Dimensions (mm)             | DIN-rail mounting: 47 x 175 x 142 (W x L x H)<br>Wall mounting: 51 x 190 x 142 (W x L x H) |                                    |  |  |
| Installation                | DIN-rail mounting or wall mounting   |                                    |  |  |
| Ingress Protection Rating   | IP30   |                                    |  |  |
| <b>Environment</b>          |  |                                    |  |  |
| Operating Temperature       | -30 °C ~ +75 °C  |                                    |  |  |
| Storage Temperature         | -40 °C ~ +85 °C  |                                    |  |  |
| Humidity                    | 10 ~ 90% RH, non-condensing  |                                    |  |  |

# OPC Server



# Port Mirroring



## Ordering Information

|                          |  |
|--------------------------|--|
| <b>MSM-508FT-T CR</b>    | 8-port Layer 2 Managed Switch with 2-Fiber Port, Multi-mode, ST Connector (RoHS)<br>Includes CA-090510 Console Cable and 4SIX1K0000003 Wall mount        |
| <b>MSM-508FC-T CR</b>    | 8-port Layer 2 Managed Switch with 2-Fiber Port, Multi-mode, SC Connector (RoHS)<br>Includes CA-090510 Console Cable and 4SIX1K0000003 Wall mount        |
| <b>MSM-508FCS-T CR</b>   | 8-port Layer 2 Managed Switch with 2-Fiber Port, Single-mode, SC Connector (RoHS)<br>Includes CA-090510 Console Cable and 4SIX1K0000003 Wall mount       |
| <b>MSM-508FCS-60T CR</b> | 8-port Layer 2 Managed Switch with 2-Fiber Port, Single-mode 60 km, SC Connector (RoHS)<br>Includes CA-090510 Console Cable and 4SIX1K0000003 Wall mount |