

Datasheet

M.2 (P80) 3TG3-P series

- PCIe Gen. III x4, NVMe 1.3
- Excellent data transfer speed
- High Endurance
- Heat-spreading design
- LDPC ECC engine supported.
- End-to-end Data Path Protection



Introduction

Innodisk M.2 (P80) 3TG3-P is an NVM Express SSD designed as the standard M.2 form factor with PCIe interface and 3D TLC NAND Flash. M.2 (P80)3TG3-P supports PCIe Gen III x4, and it is compliant with NVMe 1.3 providing excellent performance. M.2 (P80) 3TG3-P with heat-spreading design dissipate heat generating from IC making SSD perform more stably. With sophisticated error detection and correction (ECC) functions, the module can ensure full End-to-end Data Path Protection that secures the data transmission between host system and NAND Flash.

Innodisk M.2 (P80) 3TG3-P provides ultra-speed and high IOPS and offers maximum capacity up to 2TB, making the SSD optimal for server and heavy data workload applications.

M.2 (P80) 3TG3-P series

Contact us for more information
about the M2 (P80) 3TG3-P.

Innodisk is a service-driven provider of industrial embedded flash and DRAM storage products and technologies, with a focus on the cloud computing, industrial/embedded, and aerospace and defense industries.

Headquarters (Taiwan)

5F., No. 237, Sec. 1, Datong Rd., Xizhi
Dist., New Taipei City 221, Taiwan
Tel: +886-2-7703-3000
Email: sales@innodisk.com

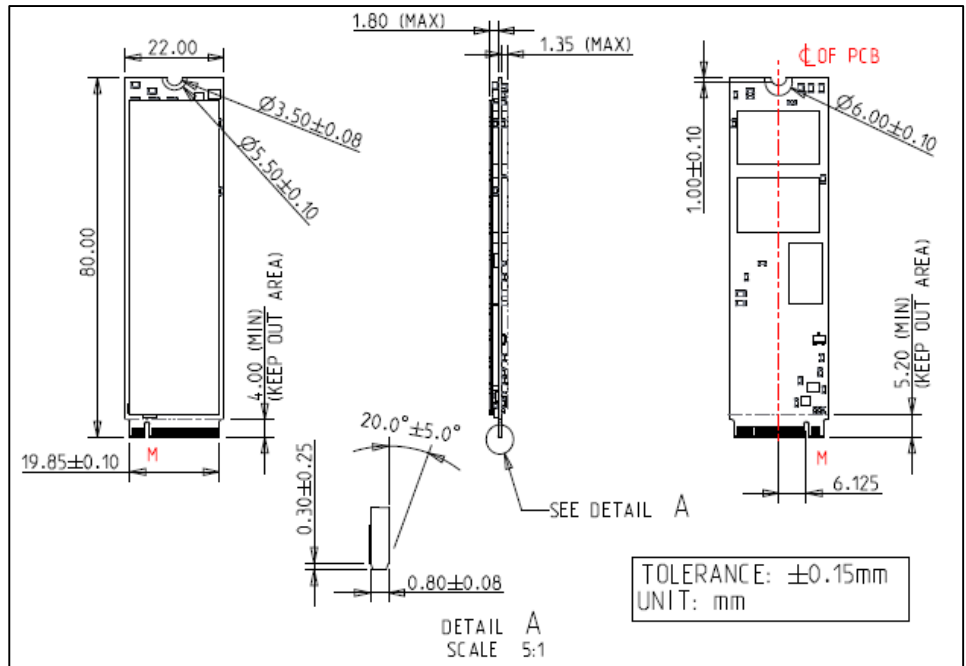
Branch Offices:

USA
usasales@innodisk.com
+1-510-770-9421
Europe
eusales@innodisk.com
+31-40-3045-400
Japan
ipsales@innodisk.com
+81-3-6667-0161
China
sales_cn@innodisk.com
+86-755-21673689
www.innodisk.com

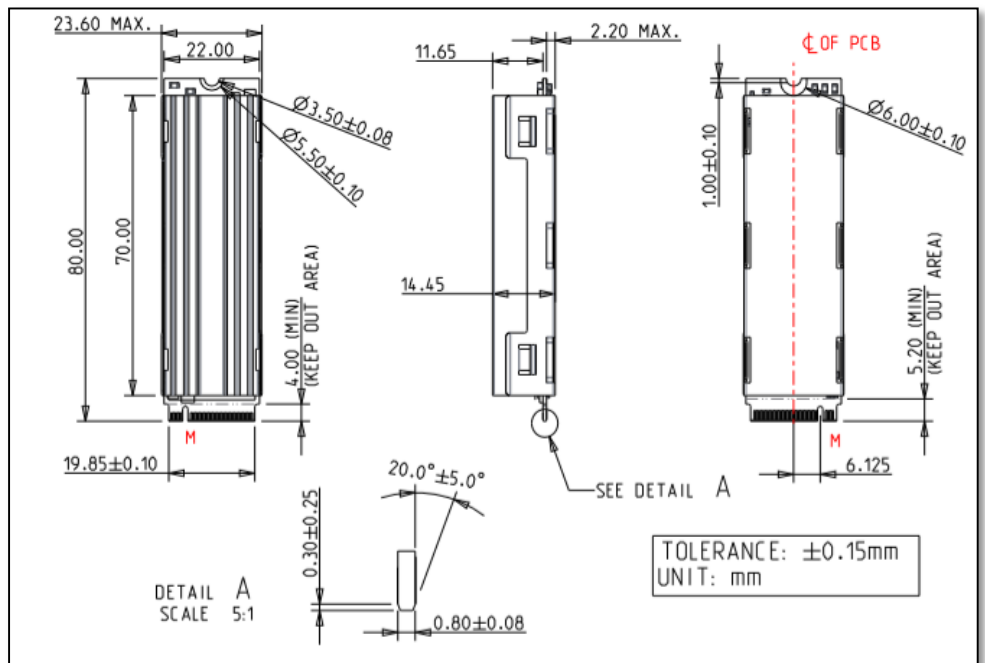
© 2020 Innodisk Corporation.
All right reserved. Specifications are
subject to change without
prior notice.

20200506

Diagram(ST)



Diagram(WT)



M.2 (P80) 3TG3-P series

Contact us for more information
about the M2 (P80) 3TG3-P.

Innodisk is a service-driven provider of industrial embedded flash and DRAM storage products and technologies, with a focus on the cloud computing, industrial/embedded, and aerospace and defense industries.

Headquarters (Taiwan)

5F., No. 237, Sec. 1, Datong Rd., Xizhi
Dist., New Taipei City 221, Taiwan
Tel: +886-2-7703-3000
Email: sales@innodisk.com

Branch Offices:

USA
usasales@innodisk.com
+1-510-770-9421
Europe
eusales@innodisk.com
+31-40-3045-400
Japan
jpsales@innodisk.com
+81-3-6667-0161
China
sales_cn@innodisk.com
+86-755-21673689
www.innodisk.com

© 2020 Innodisk Corporation.
All right reserved. Specifications are
subject to change without
prior notice.

20200506

Interface	PCIe Gen. III x4
Flash Type	3D TLC
P/E cycle	10,000(ST); 3,000(WT)
Capacity	128GB~2TB
Max. Channels	8
Sequential R/W (MB/sec, max.)	3300/2800
Max. Power Consumption	6.27W(3.3 x 1.9A)
Thermal Sensor	√
External DRAM buffer	√
H/W Write Protect	NA
iCell	NA
Dimension (WxLxH)	22.0 X 80.0 X 3.5 mm; 22.0 X 80.0 X 3.95 mm with heat-spreading copper layer 23.6 X 80.0 X 14.45 mm with heatsink
Environment	Vibration: 20G @7~2000Hz Shock: 1500G @ 0.5ms Storage Temperature: -55°C ~ +95°C MTBF: 3 million hours

Ordering Information

Operation Temp.	128GB	256GB	512GB	1TB	2TB
Standard Grade (0°C ~ +70°C)	DGM28- A28DA1ECADH	DGM28- B56DA1ECAQH	DGM28- C12DA1ECAEH	DGM28- 01TDA1ECBEH	DGM28- 02TDA1ECBEH
Industrial Grade (-40°C ~ +85°C)	DGM28- A28DA1HWADHH	DGM28- B56DA1HWAQHH	DGM28- C12DA1HWAEEH	DGM28- 01TDA1HWBEHH	NA