



## Main Features

- Intel® Celeron® J3455 processor
- Support 2 x HDMI1.4b output
- Support power input 12 VDC
- Fanless design
- Slim chassis design (40mm)
- Fanless design
- 1 x DDR3L up to 8GB
- M.2 2242 Key M for storage device
- mini-PCIe slot support Wi-Fi and LTE module
- Extended temperature -20~60°C

## Product Overview

Powered by Intel® Celeron® processor, the NDiS B337 fanless embedded player can handle 2 independence display output. The NDiS B337 supports HDMI display, USB 3.0 ports, and a RS232/RS422/RS485 interface, is an ideal embedded player to optimize information visualization, convey brand messages, customer engagement, and smart retail management efficiencies to increase in-store traffic and sales. Also could be applicable as gateway for smart city.

The NDiS B337 series is a slim/fanless player with extended temperature durability further extends to outdoor usage like QSR drive through kiosks, box office displays, information stands, bus stops, or digital transit information signs. It is also ideal as a digital signage player delivering enhanced performance and new immersive experiences for advertising, hospitality and brand promotion applications.

## Specifications

### CPU Support

- Intel® Celeron® J3455 processor (2.30GHz, 10W)

### Graphics

- Intel® HD graphics 500

### Main Memory

- 1 x 204-pin SO-DIMM socket, support up to DDR3L 1866MHz, non-ECC, un-buffered memory up to 8GB

### I/O Interface-Front

- 2 x RJ45 with LEDs for Gigabit LAN
- 2 x HDMI 1.4b, resolution 3840 x 2160 30Hz
- 2 x USB 3.0
- 2 x USB 2.0
- 1 x Power button with LED
- 1 x DC-in Jack with lock
- 1 x RS232/RS422/RS485 (COM1)

### I/O Interface-Rear

- 2 x Antenna hole
- 1 x RS232 (COM2)
- 1 x Storage active LED
- 1 x Audio jack

### Internal I/O

- 1 x TPM module connector

### Expansion

- 1 x mini-PCIe full-size connector with SIM slot (nano) onboard, support Wi-Fi/LTE module

### Storage

- 1 x M.2 2242 Key M SSD

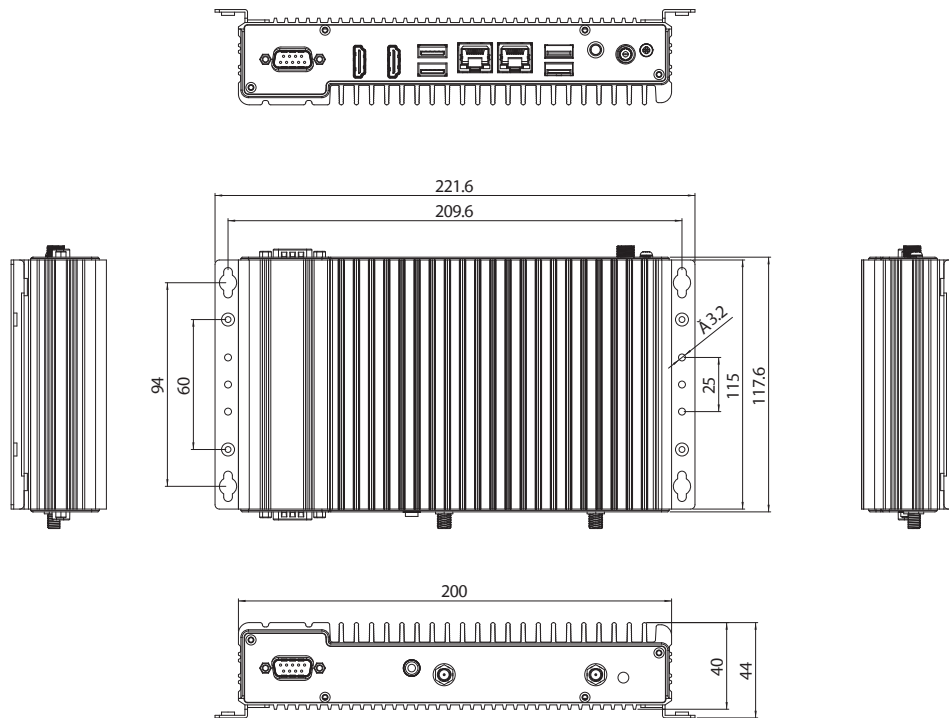
### Power Supply

- 1 x External 60W AC/DC power adapter with lock (power adapter is included in accessory)
- Input: 100VAC to 240VAC
- Output: +12VDC

### Environment

- Operating temperature: -20°C to 60°C
- Storage temperature: -20°C to 80°C
- Humidity: 95% (non-condensing)
- Shock protection: 50G peak acceleration, 11 ms according to IEC60068-2-27
- Vibration protection
  - Random: 2Grms@5~500 Hz, IEC60068-2-64
  - Sinusoidal: 2G@5~500 Hz, IEC60068-2-6

## Dimension Drawing



### Dimensions

- 200mm (W) x 117.6mm (D) x 40mm (H)

### Certification

- CE (EN55035 + EN55032)
- FCC Class A (EMI Part 15B)
- LVD (EN62368-1)

### Operating System

- Win10 64-bit
- Linux 4.1

## Ordering Information

- **NDiS B337 (P/N: 10W00B33700X0)**  
Intel® Celeron® J3455 processor extended temperature system with 2 COM ports