



NSM-2105G-SFP

Unmanaged 5 Port GbE switch with 1 SFP slot

Features

- 1x 100/1000 SFP socket for Easy and Flexible Fiber Expansion.
- Supports Dual +12 ~ 48 VDC power input and 1 Power loss alarm relay output



Introduction

The NSM-2105G-SFP is 5 Port GbE copper and 1 100/1000 base SFP Ethernet Switch, supports Auto Negotiation, Auto MDI/MDI-X and Jumbo Frame suitable for use in various industrial applications.

NSM-2105G-SFP has Redundant Power Function, which can input 2 sets of 12~48Vdc power supply at the same time. When one of the power supplies is abnormal, it will trigger the Alarm Relay to drive the external sound and light alarm to reduce the time cost of maintenance

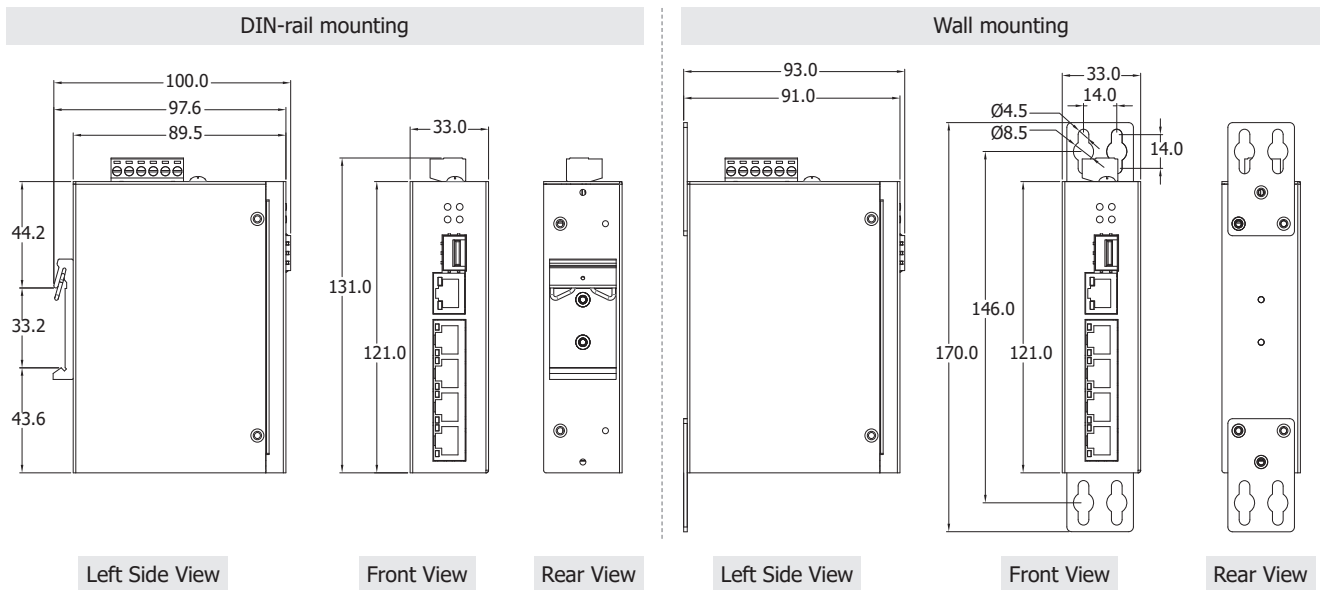
Specifications

LED Indicators	
Status	PWR1, PWR2, PWR Fail, Link/Act, 1000M
EMS Protection	
EFT (IEC 61000-4-4)	± 2 kV
ESD (IEC 61000-4-2)	± 4 kV Contact
Ethernet	
Ports	5 x RJ-45, 10/100/1000BaseT(X), 1 x SFP Slot, 100/1000Base-T(X)
Standards	IEEE 802.3 for 10Base-T, IEEE 802.3u for 100Base-TX & 100Base-FX, IEEE 802.3ab for 1000Base-T, IEEE 802.3z for 1000BaseSX/LX, IEEE 802.3x for Flow Control
Processing Type	Store & forward
MAC Table	4 K
Frame Buffer Memory	1.5 Mbit
Jumbo Frames	10 K for Speed 1000 M
DIP Switch	100 /1000 SFP setting
Fiber	
Ports	1 x 100/1000 Mbps SFP slots
Power	
Reverse Polarity Protection	Yes
Input Range	+12 ~ +48 VDC (Non-isolated)
Redundant Power Inputs	Yes
Consumption	0.20A @ 24VDC
Alarm Output	Yes,Relay 1 A @ 30 VDC
Mechanical	
Casing	Metal
Dimensions (mm)	DIN-rail mounting: 33 x 131 x 100 (W x L x H) Wall mounting: 33 x 170 x 93 (W x L x H)
Installation	DIN-rail mounting or wall mounting (optional)
Ingress Protection Rating	IP30
Environment	
Operating Temperature	-25 °C ~ +75 °C
Storage Temperature	-40 °C ~ +85 °C
Humidity	10% ~ 90% RH, non-condensing

Applications



Dimensions (Units: mm)



Ordering Information

NSM-2105G-SFP CR	Unmanaged 5 Port GbE switch with 1 SFP slot (RoHS)
-------------------------	--

Accessories

ASO-0015 CR	Wall Mount Kit (W:28mm) (RoHS)	
SFP-100M13M-FX CR	100Base-FX, Multi-mode 1310 nm, 2 km SFP module (RoHS)	
SFP-1G85M-SX CR	1000Base-SX, Multi-mode 850 nm, 0.5 km SFP module (RoHS)	
SFP-1G13M-SX2 CR	1000Base-SX2, Multi-mode 1310 nm, 2 km SFP module (RoHS)	
SFP-1G13S-LX CR	1000Base-LX, Single-mode 1310 nm, 10 km SFP module (RoHS)	
SFP-1G13S-LX20 CR	1000Base-LX20, Single-mode 1310 nm, 20 km SFP module (RoHS)	