

SG-3016 Isolated Strain Gauge Input Module User's Manual

Introduction

The SG-3016 is a voltage input to voltage or current output signal conditioning module. It has 3000Vdc three-way isolation for input, output and power. And can change the input/output range via internal configuration switches.

The SG-3016 has an LED display to show whether the SG-3016 is functioning correctly and has three VRs (Zero, Span, Exci) to calibrate the input/output range accuracy.

The bandwidth of the SG-3016 is typically 3KHz. It's easy to mount the SG-3016 on a standard DIN rail and can operate in environments with wide temperature range.

Specifications

Voltage Specifications:

- Electrical input: $\pm 10\text{mV}$, $\pm 20\text{mV}$, $\pm 30\text{mV}$, $\pm 50\text{mV}$, $\pm 100\text{mV}$
- Excitation voltage: 1 ~10Vdc (20mA max.)

Voltage output:

- Bipolar: $\pm 5\text{V}$, $\pm 10\text{V}$
- Unipolar: 0~5V, 0~10V
- Output impedance: $< 50\Omega$

Current output:

- Current: 0~20mA
- Current load resistor: 0~500 Ω (Source)

General

- Three-way isolation: 3000Vdc
- Accuracy: $\pm 0.1\%$ of full range
- Bandwidth: 1.2KHz (typical)
@-3dB
- Operation temperature range: $-25^{\circ}\text{C} \sim 75^{\circ}\text{C}$
- Storage temperature range: $-30^{\circ}\text{C} \sim 85^{\circ}\text{C}$

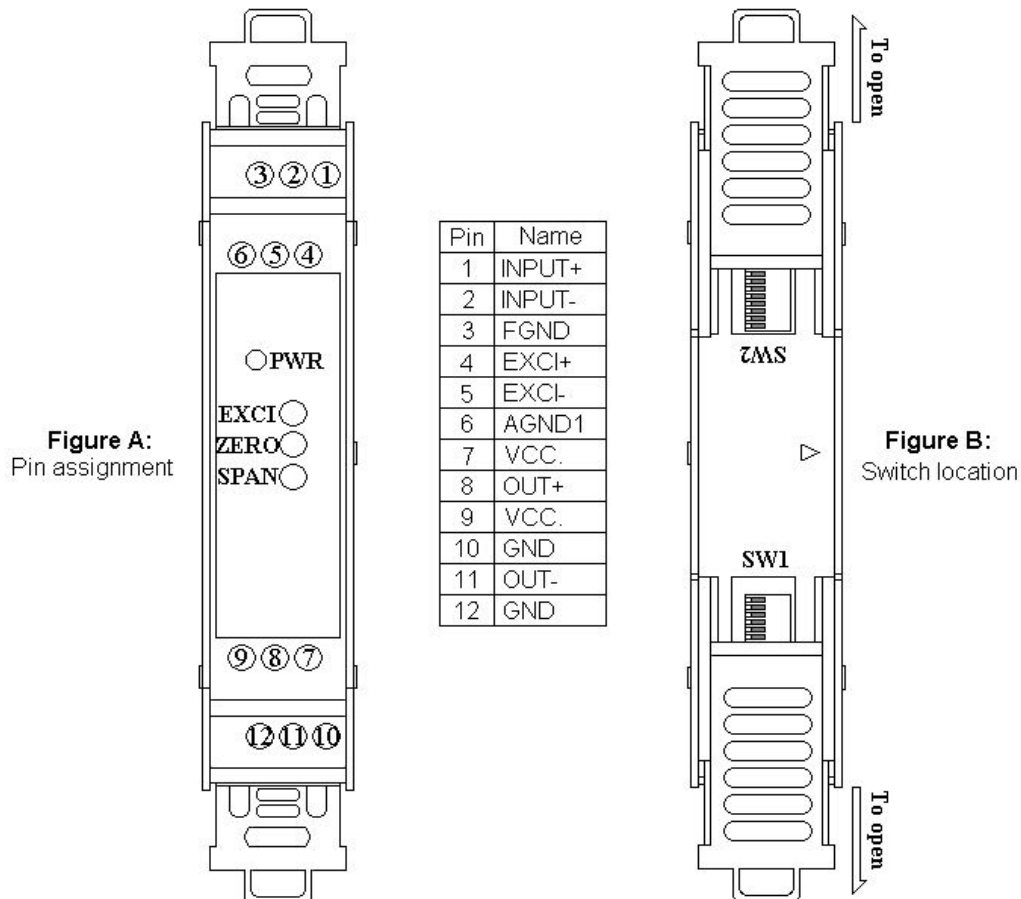
Supply Voltage

- Input Range: 10~30Vdc
- Consumption: 1.44W (voltage output)
1.74W (current output)

Configuration

The terminal wiring for the SG-3016 is shown in Figure A. Positive power terminals pin's 7 and 9 are internally connected, as are negative pins 10 and 12. Power can be connected through the adjacent modules, making wiring much easier. The SG-3016 uses a power input range of 10~30Vdc.

Table 1 and table 2 show the switch positions used to configure the input and output range. The I/O configuration switches are located inside the module. And can be accessed by removing the DIN-rail bracket covers by sliding them in the direction shown in Figure B.



SG3016 Input Range	Range (SW2)				
	1	2	3	4	5
±10mV	◆				
* ±20mV		◆			
±30mV			◆		
±50mV				◆	
±100mV					◆

◆ : ON

Table 1: Input range setting (SW2)

* SG3016 Output Range	Range (SW1)						Range (SW2)		
	1	2	3	4	5	6	6	7	8
$\pm 10V$	◆	◆							◆
$\pm 5V$	◆	◆						◆	
0~10V	◆	◆			◆	◆	◆		
0~5V	◆	◆			◆		◆		
0~20mA			◆	◆	◆		◆		

◆ : ON

Table 2: Output range setting (SW1、2)
* Factory default setting

Calibration Procedure

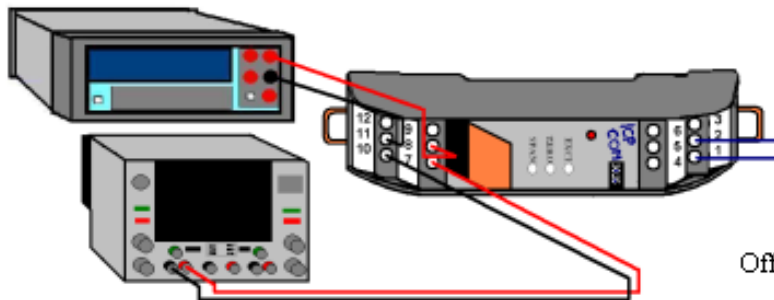


Figure C:
Offset Regulate

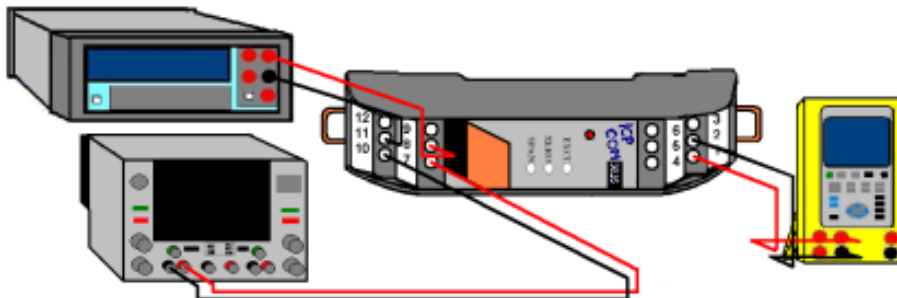


Figure D:
Gain Regulate

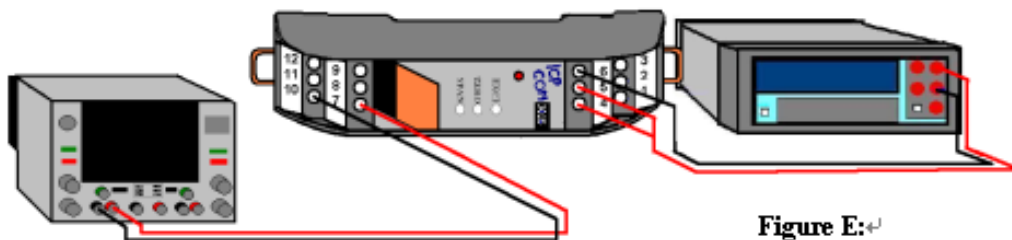


Figure E:
Excitation Voltage Regulate

1. Refer to figure C to adjust the offset value.

- (1) Connect pin7 to the +24Vdc connection and pin 10 to GND.
- (2) Connect pin8 and pin 11 to the meter.
- (3) Use wire to connect pins 1 and 2.
- (4) Changing the SW1 and SW2 depends on your input/output range. Watch the value of the meter and adjust the VR2 (ZERO) value to the minimum value of this range.

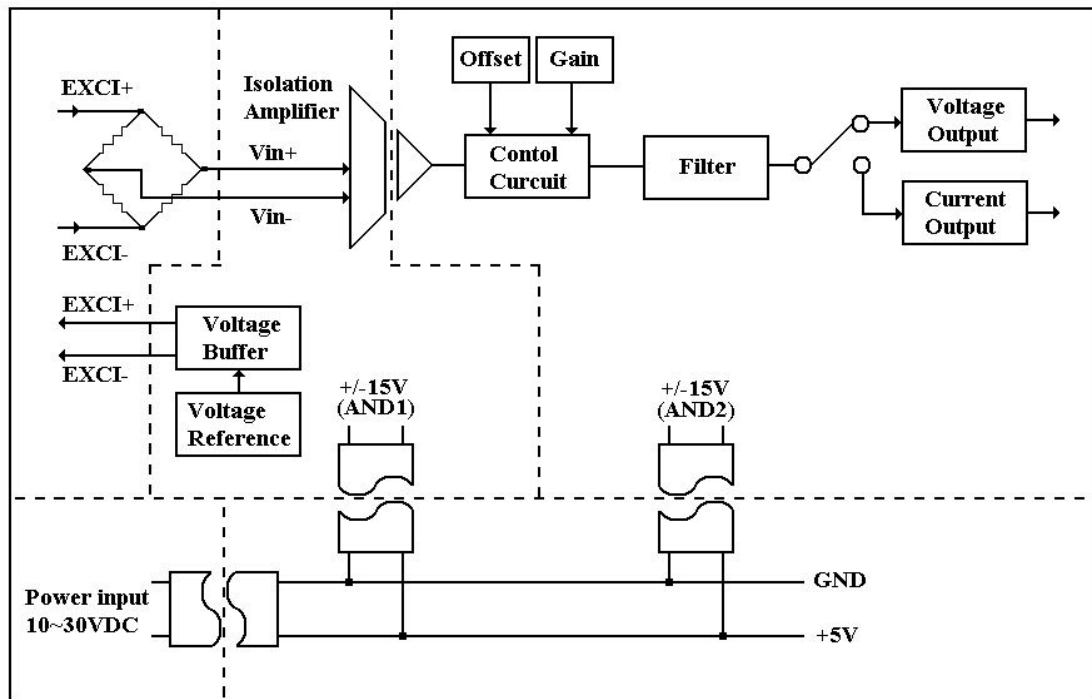
2. Refer to figure D to adjust the gain value.

- (1) Connect pin7 to the +24Vdc connection and pin 10 to GND.
- (2) Connect pin8 and pin 11 to the meter.
- (3) Connect pins 1 and 2 to input source.
- (4) Changing the SW1 and SW2 depends on your input/output range. Watch the value of the meter and adjust the VR3 (SPAN) value to the maximum value of this range.

3. Refer to figure E to adjust the excitation voltage value.

- (1) Connect pin7 to the +24Vdc connection and pin 10 to GND.
- (2) Connect pins 4 and 6 or pins 5 and 6 to the meter.
- (3) Watch the value of the meter and adjust the VR1 (EXCI) value to the 1~10Vdc of this range.
※ The default value is 10Vdc ※

Block Diagram



Dimensions

Units:mm

