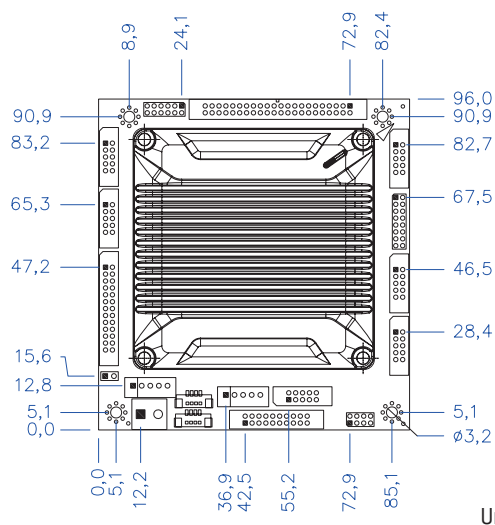
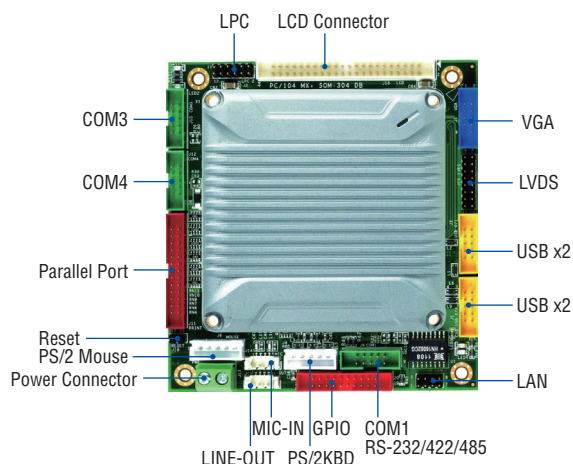


VMXP-6453

1GB/3S/4USB/VGA/LCD/LVDS/AUDIO/LAN/
GPIO/CF/PWMx16



Specifications

SoC	DM&P SoC CPU Vortex86MX+ 800MHz Real Time Clock with Lithium Battery Backup
Cache	L1:16K I-Cache, 16K D-Cache L2 Cache 256KB
Bus	LPC (Optional)
BIOS	AMI BIOS
System Memory	512MB / 1GB DDR2 Onboard
Watchdog Timer	Software programmable from 30.5μ sec.to 512 sec. x 2 sets (Watchdog 1 fully compatible with M6117D)
VGA & LCD	Integrated 2D VGA chip VGA and TFT/LVDS Flat Panel Interface Support (Either VGA or LCD) Share system memory 16MB/32MB, Mono, DSTN, STN, TFT Flat Panel interface support & resolution up to 1280x1024, 16M colors
LAN	Integrated 10/100Mbps Ethernet
Audio	ALC 262 (HD Audio)
Flash Disk Support	Onboard SST Flash Disk (512MB/1GB/2GB/4GB are Optional) Compact Flash Type I/II
PWM	16~24 Channels
I/O Interface	RS-232 port x2 RS-232/422/485 port x1 USB port (Ver2.0) x4 Parallel port x1 16-bit GPIO port x1 10/100Mbps Ethernet port x1
Connectors	2.0mm 44-pin box header for LCD x1 2.0mm 26-pin box header for Printer x1 2.0mm 20-pin box header for 16-bit GPIO x1 2.0mm 16-pin header for LVDS x1 2.0mm 12-pin header for LPC x1 (Optional) 2.0mm 10-pin box header for VGA x1 2.0mm 10-pin box header for USB x2 2.0mm 10-pin box header for RS-232 x3 2.0mm 8-pin header for Ethernet x1 2.54mm 5-pin box header for Keyboard x1 2.54mm 5-pin box header for Mouse x1 2.54mm 2-pin header for Reset x1 1.25mm 4-pin wafer for Line-out/MIC-in x2 Type I/II Compact Flash Slot x1
Power Requirement	Single Voltage +5V @ 920mA (with 2GB NAND Flash)
Weight	150g
Board Size	90 x 96mm (3.54 x 3.77 inches)

Operating Temperature	0°C ~ +60°C -20°C ~ +70°C (Optional)
------------------------------	---

Packing List

- VMXP-6453
- Cable
 - PRINT (2.0) x1
 - VGA (2.0) x1
 - RS-232 (2.0) x3
 - USB (2.0) x2
 - NET 4 x 2 (2.0) x1
 - GPIO (2.0) x1
 - PS2 KB White x2
 - Audio Line x2
- Screw Kit x1

Ordering information

- **VMXP-6453-4NS1** Vortex86MX+ PC/104 CPU Module w/1GB DDR2
- **VMXP-6453-4DS1** Vortex86MX+ PC/104 CPU Module w/NAND Flash 2GB, 1GB DDR2
- **VMXP-6453-4ES1** Vortex86MX+ PC/104 CPU Module w/NAND Flash 4GB, 1GB DDR2